

ONTARIO BASEBALL ASSOCIATION

2004 Blue Book

CONTENTS

OBA Officials 3

2.04 Classification of Teams 4

4.03 OBA Play-off Tournament Fee 6

11.03 Insurance..... 6

P1 Player Signing

P1-1 Age and Category 6

P1-2 Birth Certificates 6

P1-3 Players to Qualify Under Residence Rule 7

P1-4 Players Changing Teams or Residence..... 8

P1-5 Players May Advance to Higher Series 9

P1-6 Player Registration 9

P1-7 Team Number 11

P1-8 Professional Players and Reinstatement 11

P1-9 Eligibility 11

P2 Special Playing Rules

P2-1 Batting and Fielding Practice..... 12

P2-2 Approved Baseballs..... 13

P2-3 Coaches and Managers 14

P2-4 Ejections 14

P2-5 Uniforms/Equipment 14

P2-6 Substitutions..... 14

P2-7 Protests 15

P2-8 Prohibition On The Use Of Tobacco Products 16

P2-9 Sunday Baseball 16

P2-10 Pitching Rules..... 16

P2-11 Designated Hitter..... 17

P2-12 Exceptions to Official Rules of Baseball 17

P2-13 Contact Rule 18

P2-14 Reporting Abuse 18

P2-15 Girls Baseball 18

P3 Umpires

P3-1 General 18

P3-2 Fees for Umpires 19

P4 Field Dimensions

P4-1 Dimensions 20

P5 OBA Play-offs Including Preliminary Rounds

P5-1 Procedures and Rules..... 22

P5-2 Batting and Fielding Practice..... 24

P5-3 Game Length 24

P5-4 Home Teams in Charge of Grounds 24

P5-5 Restrictions for Other Organizations 24

P5-6 Format for OBA Play-off Tournaments..... 25

P6 OBA Elimination Tournaments

P6-1 Procedures and Rules..... 35

P7 Exhibition Games and Tournaments

P7-1 Playing Non-Registered Teams and Players..... 36

P7-2 Exhibition Games 36

P7-3	Tournaments	37
Q1 Open, Invitational and International Tournaments		
Q1-1	Rules	37
Q2 The Approved Playing Rules of T-Ball		
Q2-1	General	39
Q2-2	Equipment	40
Q2-3	Definitions	41
Q2-4	General Rules	41
Q2-5	Playing Rules	43
Q2-6	Umpires	45
Q3 The Approved Playing Rules of Rookie Ball		
Q3-1	Regulations	45
Q3-2	Diamond Layout	46
Q3-3	Playing Rules	46
Q3-4	Approved Balls for Rookie Ball	47

ONTARIO BASEBALL ASSOCIATION, INC.
1425 Bishop St., Unit 16, Cambridge, ON, N1R 6J9
Tel: 519-740-3900 Fax: 519-740-6311
E-mail: baseball@baseballontario.com www.baseballontario.com

OBA OFFICIALS 2004

President:	Randy Pickle	905-723-1527	rpickle@tsh.ca	w) 905-668-93630 ext. 2276
First Vice President:	Don McKnight	905-833-5353	donmck@bellnet.ca	
Second Vice President:	Mark Orton	905-725-2145	morton0306@rogers.com	
Immediate Past President:	Peter Topolie	705-497-3540	petertopolie@hotmail.com	
Elected Board:	George Birch	519-728-3587	georgebirch@yahoo.com	
	Terry Hill	905-575-0932	thills@mountaincable.net	
	Allan Ebert	519-542-5861	ebert@mnsi.net	
	Bob Humphries	519-455-0383	robert.humphries@sympatico.ca	
	Howard Dewsbury	705-727-9650	dewsbury@sympatico.ca	
Appointed Member:	Wayne Robinson	905-430-1917	wrobinson@stantec.com	
	Howie Birnie	416-485-1848	hwbirnie@sympatico.ca	
Treasurer:	Ed Quinlan	416-805-6661	ed.quinlan@hrblock.ca	
Life Members:	Len Andrews	905-854-2254	jandrews@interhop.net	
	Jim Lutton	905-725-4888	jelutten@sympatico.ca	
	Keith Weese	519-862-1077		
	Harve Bailie	519-657-9164	hhbailie@aol.com	
Honorary Members:	Lee Nantais	519-969-1448	madlee@mnsi.net	
	Vi Christopher	613-967-4958	christopher.vi@sympatico.ca	
	Dennis Ryan	905-575-7677	dryan@interlynx.net	
	Ron Pegg	519-924-3538	crpegg@bmts.com	
	Bernie Soulliere	519-735-2028	berniebaseball@canoemail.com	
Previous Presidents:	Gerry MacLean	905-227-1389		
	Howie Birnie	416-485-1848	hwbirnie@sympatico.ca	
	Linda Lewis	519-677-5784	johnlinda.lewis@sympatico.ca	
Coaching Supervisor:	Wayne Parro	905-655-1296	wayne.parro@rogers.com	
Umpiring Supervisor:	Ed Quinlan	416-805-6661	ed.quinlan@hrblock.ca	
Competition Committee Chair:	Mark Orton	905-725-2145	morton0306@rogers.com	
Technical Committee Chair:	Don McKnight	905-833-5353	donmck@bellnet.ca	
Tournament Chair:	Allan Ebert	519-542-5861	ebert@mnsi.net	
Overall Series Chair:	Mark Orton	905-725-2145	morton0306@rogers.com	
Senior Chair:	George Birch	519-728-3587	georgebirch@yahoo.com	
Junior Chair:	Howard Dewsbury	705-727-9650	dewsbury@sympatico.ca	
Midget Chair:	Terry Hill	905-575-0932	thills@mountaincable.net	
Bantam Chair:	Don McKnight	905-833-5353	donmck@bellnet.ca	
Peewee Chair:	Mark Orton	905-725-2145	morton0306@rogers.com	
Mosquito Chair:	Allan Ebert	519-542-5861	ebert@mnsi.net	
Rookie Ball Chair:	Wayne Robinson	905-430-1917	wrobinson@stantec.com	
Girls/Women's Chair:	Peter Topolie	705-497-3540	petertopolie@hotmail.com	

CLASSIFICATION OF TEAMS

a) The OBA shall offer for annual competition the following OBA Play-offs:

	Municipalities over 70,000	70,000 – 25,000	25,000-10,000	10,000 and under
Sr. Rookie Ball	AAA, AA	A	B	C
	Municipalities over 70,000	70,000 – 25,000	25,000-5,000	5,000 and under
Minor	AAA, AA	A		
Mosquito				
Mosquito	AAA, AA	A, B	C, D	E
PeeWee Girls	AAA			
Minor PeeWee	AAA, AA	A		
PeeWee	AAA, AA	A, B	C, D	E
Minor Bantam	AAA, AA	A		
Bantam	AAA, AA	A, B	C, D	E
Bantam Girls	AAA			
Minor Midget	AAA, AA			
Midget	AAA, AA	A, B	C, D	E
	Municipalities over 20,000	20,000 and under		
Women's	AAA			
Junior	A, B, C	D		
Senior	A, B, C	D		

- b) Teams may request higher classification if so desired. A team at a smaller population category (e.g. 25,000 - 5,000) may be classified at the classification applicable to a larger population category (over 70,000) at its request.
- c) For purposes of classification, the population of a municipality will be based on the Province of Ontario Municipal Directory or any other recognized published source of population.
- d) Any team with more than 3 players from outside the recognized boundaries of its Local Association will include the population of the Local Associations from which its players were released within its own population for the purposes of classification.
- e) Where several Local Associations are located within a single municipal boundary and where release procedures are enforced between the Local Associations, the population of the Local Associations within the municipality shall be determined by dividing the municipal population by the number of Local Associations that exist within the municipal boundary (e.g., a municipality having a population of 300,000 with 6 Local Associations would claim 50,000 per Local Association).
- f) Where a Local Association wishes to have classified its 2nd team in any age category, its population base shall be divided, for purposes of determining the appropriate classification, and if resulting in a lower classification shall be only the top level of the next lower classification category, in the following fashion:
- 2nd team - population ÷ 2
 - 3rd team - population ÷ 3 and so on.
- This exception for the 2nd teams shall be subject to the competitive success of that team.
- g) If any Local Association feels it has a circumstance that does not fall under the provisions of 2.04 a) to f), it has the right to appeal to the O.B.A.
- h) Classifications must be submitted to the OBA Office before the close of business on July 20th or the Friday immediately preceding, should this date fall on a Saturday or Sunday. Failure to submit such information by such time shall result in the applicable team(s) not being classified."
- i) The OBA Office shall immediately forward the Affiliated Associations' proposed classifications to the respective Series Chair, who shall be responsible for ensuring that all information provided for each team in the Series is complete and correct. The Series Chair shall ensure that each team is properly classified and review the potential number of entries in the individual classification playoffs.
- j) The Series Chair shall make recommendations as to the final team classifications. If the Series Chair feels that a team has been classified lower than merit may suggest, the Series Chair shall contact and advise the respective Affiliated Association of the change and the reasoning for the change within 48 hours of the Series Chair receiving the classification

information. The Affiliated Association shall have 48 hours to appeal the change to the Series Chair.

- k) The Series Chair shall make recommendations as to the number of teams participating in the individual classification playoffs. The Series Chair shall determine if a playoff tournament shall include teams additional to the Affiliated Associations' representative and the host. The Series Chair shall advise each playoff tournament host of the potential number of participating teams, except open tournaments in the Minor Series'. The Series Chair shall also advise any Affiliated Association of any recommendation to include additional representatives from that Affiliated Association. The Affiliated Association shall have 72 hours to advise the Series Chair of its intentions.
- l) The Classification Committee shall consist of the Overall Series Chair and the Series Chair. The Classification Committee shall meet no later than one week prior to the Civic Holiday weekend to review the recommendations of the Series Chair. The Classification Committee shall also resolve any appeals, to classifications, that are outstanding. The Classification Committee shall present its final recommendations to the Competition Committee no later than one week prior to the Civic Holiday.
- m) The decision of any Affiliated Association with respect to whether a team is, or is not classified, prior to the opening of discussions by the Classification Committee on the classification of all teams in the respective series, shall be deemed final by the OBA.
- n) Where required for classification purposes, the Affiliated Association must submit to the Classification Committee (on a form approved by the OBA) the won-lost-tied record of the team in league play and any tournaments that the team may have participated in. The Affiliated Association shall also provide the Classification Committee with the population of the municipality the team is located in, and any other information that the Affiliated Association used in classifying the team. Failure to comply with these rules shall result in the team being classified at the highest classification according to its population.
- o) Except For OBA Play-offs for Girls Baseball series, each Affiliated Association may nominate not more than 1 representative in each classification, excluding the tournament host team.
- p) The OBA Board of Directors shall decide annually the method by which the winner of each OBA Play-off shall be declared. This method shall consist of one of the following:
 - i) home and home style OBA Play-offs, or
 - ii) a double loss knock-out tournament with a minimum of 6 teams scheduled to be held no later than the Labour Day weekend. If less than 6 teams classified, each Affiliated Association would then be entitled to have a second team entered. If tournament is still 6 teams or less, the host may opt to set up a round robin tournament with OBA approval; or
 - iii) a combination of both.
- q) No player may participate with more than 1 team in any 1 series.
- r) Any team classified at the OBA classification meeting must participate in all its OBA Play-offs. If a team fails to fulfil its commitment a \$500.00 fine will be assessed. Local Associations and Affiliated Associations shall be responsible for ensuring payment of such fines assessed against their teams.
- s) Teams appealing their OBA classification as finalized by the OBA Board of Directors are not to be levied the OBA \$500.00 fine if the team declines to compete within 24 hours after the appeals meeting.
- t) The winner of the Senior OBA Elimination Tournament will be declared the OBA Senior A champions.
- u) A Direct Entry not participating in the scheduled play of an Affiliated Association shall be classified at the highest level for which the population of its municipality makes it eligible.
- v) In order to be classified, a team must have played and reported on the Classification Form a minimum of 5 games against other OBA rostered teams.
- w) The winner of the Junior OBA Elimination Tournament will be declared OBA Junior A champions. In years when there is no Junior OBA Elimination Tournament, an open tournament will be held on the Civic Holiday weekend with the winner being declared OBA Junior A champion.
- x) At each age category where the winner of the OBA Elimination Tournament is not deemed an OBA Play-off Champion, the winner of the OBA Elimination Tournament shall be granted an automatic entry into the OBA Play-off Tournament for which teams entering the OBA Elimination Tournament are classified. The OBA Elimination Tournament winners will not be considered the representative of the Affiliated Association to which it belongs and the Affiliated Association shall be entitled to send another of its teams as its representative. OBA Elimination Tournament winners must declare their intentions to the OBA Office and the OBA Play-off Tournament host by August 15. For Rookie Ball and Girls Baseball, the OBA Play-off Tournament format shall be at the discretion of the OBA Board of Directors each year.

4.03 OBA PLAY-OFF TOURNAMENT FEE

All teams in OBA Play-off Tournament play will pay the following participation fees to the tournament host:

- a) teams in PeeWee and below \$250.00, and
- b) teams in Minor Bantam and above \$300.00.

If the team defaults on the payment of such fee, or fails to meet its commitment to play in the OBA Play-off Tournament and the OBA collects the fine, the OBA will pay the appropriate tournament entry fee to the host.

11.03 INSURANCE

- a) All teams of Local Associations and Affiliated Associations must have the liability insurance provided through the OBA. This insurance must be purchased before the teams and the Affiliated Associations begin the new baseball season.
- b) For purposes of insurance coverage only, the OBA sanctions all usual baseball activities including games, practices, try-outs, evaluations, tournaments and executive activities conducted by its Affiliated Associations, Local Associations and Direct Entries and such other activities of the OBA, its Affiliated Associations, Local Associations and Direct Entries as may be approved from time to time by the OBA Management Board.

P1 PLAYER SIGNING

P1-1 AGE AND CATEGORY

To be eligible to play in a particular age category, a player must be born during the year indicated beside such category or during any subsequent year:

T-Ball	1996	
Junior Rookie Ball	1996	
Senior Rookie Ball	1995	
Minor Mosquito	1994	
Mosquito	1993	
PeeWee Girls	1991	
Minor PeeWee	1992	
PeeWee	1991	
Minor Bantam	1990	
Bantam	1989	
Bantam Girls	1988	
Minor Midget	1988	
Midget	1986	
Junior	1983	
Women’s	Unlimited	(Note: These years are to be automatically updated each year.)

P1-2 BIRTH CERTIFICATES

- a) Subject to the following, copies of birth certificates, passports or citizenship cards (“birth records”) must be sent to the OBA Office by all players 21 years of age and under not previously registered with the OBA. In the case of Affiliated Associations having their own registrar and having the approval of the OBA, it is not necessary to send in birth records to the OBA Office if such birth records are provided to the Affiliated Association’s registrar. For Affiliated Associations not having their own registrar or for Direct Entries, when sending birth records to the OBA Office, they must be listed and a copy of the list included with the birth records. Upon receipt of a birth record, it will be recorded in the OBA Office.
- b) All players 21 years of age and under must produce a birth record. Players who cannot procure a birth record may sign a team roster upon producing a statutory declaration sworn to by their parent or guardian establishing their age; the same to be accompanied by a certificate of a solicitor or notary public.
- c) No birth records or statutory declaration will be approved after the June 30th deadline.

P1-3 PLAYERS TO QUALIFY UNDER RESIDENCE RULE

- a) No player shall compete in any OBA Play-off games who has not been a bona fide and continuous resident of the municipality to which his/her team belongs before June first of the baseball season, except (1) a senior player who maintains Canadian Citizenship and has been a member of an OBA team for at least one year prior and continues to remain a member of the same OBA team and who for the purposes of securing employment lives and/or works out of the province of Ontario, (2) in the case of students who shall be allowed to take up residence until June 30th or players below Junior rating when a bona fide move of the family takes place before June 30th. (The term student for the purpose of this rule means any player who has resided away from his/her normal residence for the purpose of receiving an education. The intent here is to provide a student the opportunity to establish residence beyond the June first deadline. Players attending secondary school do not normally qualify under this provision.) NOTE: Individuals under senior age may be granted permission by the OBA Registrar to participate in OBA play. Cases will be dealt with on an individual basis (i.e. exchange students).
- b)
- i) Where a Local Association has more than 1 team operating in the same series, the Local Association shall set policy and/or boundaries for such teams.
 - ii) Where a municipality has more than 1 Local Association within its boundaries, the Affiliated Association shall set policy and/or boundaries for such Local Associations.
 - iii) In areas where no team is available under the residency rule, the Affiliated Association shall set policy and/or boundaries for teams operating within the Local Associations of the Affiliated Association.
 - iv) Local Associations and Affiliated Associations must establish policy and territorial boundaries for teams and/or associations before the start of their baseball season. A copy of the policy and/or boundaries must be filed with the Affiliated Association and the OBA before the start of the baseball season.
 - v) Players must play for the Local Association or Direct Entry that holds their playing rights under these rules. Players must procure a release from the Local Association or Direct Entry that holds their playing rights should they wish to play for a team with another Local Association or Direct Entry. Affiliated Association Registrars must approve the transfer of those players who do not play with their Local Association teams but within the boundaries of the Affiliated Association. However, a player may return to the team at his/her place of residence at the beginning of any season without a release. A player residing in an area where no Local Association or Direct Entry exists may play for a team in another Affiliated Association without a release provided such team is the team located closest to his/her place of residence. Note: Local Association and Affiliated Association rules take precedence for any Local Association or Affiliated Association.

Note: For purposes of this rule, minor (e.g. Minor Mosquito, Minor PeeWee, Minor Bantam and Minor Midget) is not defined as a separate series from major (e.g. Mosquito, PeeWee, Bantam and Midget). If a combined minor/major program is offered by a Local Association, players require a release to play in any other Local Association.

- vi) Where a player wishes to play for a team outside their Affiliated Association, said player must procure a release from his/her Local Association and from the registrar of the Affiliated Association, before becoming eligible to sign with his/her new team.
 - vii) All releases must be in writing and cannot be conditional.
- c) Only OBA rostered players are eligible to participate in Ontario Elimination Tournaments.
- d) Only players eligible to participate in Canadian championships shall be eligible to participate in the Ontario Elimination Tournament.
- e) A permit shall not be granted to an American Import Player in any series other than Senior.
- f) Notwithstanding any other provision of this section P1-3, a female may, but is not required to, register with both a Girls Baseball team and a non-Girls Baseball team. Where the Local Association in whose territory the female lives offers both Girls Baseball and non-Girls Baseball teams, the female may register with either a Girls Baseball team or a non-Girls

Baseball team in such Local Association and on the basis of such registration play on any team from such Local Association for which she is eligible to play based upon her age. Where the Local Association in whose territory the female lives does not offer Girls Baseball, the female may register for non-Girls Baseball with such Local Association and Girls Baseball with another Local Association without a release being required from the Local Association in whose territory the female lives. Except as provided for in this section, a female player requires a release in accordance with the provisions of section P1-4 in the same manner as a male player.

P1-4 PLAYERS CHANGING TEAMS OR RESIDENCE

- a) Once a player signs with a team from a Direct Entry or Local Association, he/she shall remain a member of that Direct Entry or Local Association until he/she is transferred in accordance with the regulations governing transfers as hereinafter set down (said player who has been a continuous resident for 2 or more years and on moving to another municipality or rural district, and wishes to continue playing with the Direct Entry or Local Association he/she last signed for, may do so and will not change the classification of the team from the Direct Entry or Local Association).

Note: The general principle stated above applies also to cities and towns which have more than 1 Local Association, and, in such cases, even though no change in residence is involved, the player is not allowed to change Local Associations until he/she has been transferred in the approved manner as herein set down.

- b) A player wishing to change his/her Direct Entry or Local Association must first secure a written release from his/her old Direct Entry or Local Association, signed by the current management of that Direct Entry or Local Association. If the release is denied by the Local Association, the player has the right to a hearing at the Affiliated Association. All evidence and results of this hearing will be forwarded to the OBA and all parties involved. The player must appeal to the Affiliated Association prior to appealing to the OBA. If this release is refused, the player has the right to notify the OBA Office of his/her privilege to present his/her case, in person, to the OBA Board of Directors for their final decision. The Direct Entries or Local Associations concerned shall have the privilege of representation at the hearing with the understanding that the decision of the OBA Board of Directors shall be final. Releases shall not be valid until filed with the OBA Office.
- c) In the case of a player below Junior age who has been a bona fide and continuous resident of the municipality to which his/her Direct Entry or Local Association belongs before June first of the baseball season, wishing to change his/her Direct Entry or Local Association or residence, he/she must in addition to the forgoing provisions, sections a) and b), secure the written consent of his/her parent or guardian in order to make such a change.
- d) In the case of all players, 18 years of age and under, if their family makes a legitimate move from one area to another, a release from the Direct Entry or Local Association they were signed to and played with shall not be required. In the case the parent or guardians do not move, but the player makes a move from one area to another, then a release from the Direct Entry or Local Association that he/she was signed and played with the previous or last season is required.
- e) Players signed with one team must be properly released before signing a second roster. This clause applies to all series. Where a player has been released by his/her team, said release must be approved and signed by the registrar of the Affiliated Association of which his/her team is a member before such release is valid. Any player signing a new roster to play for another team or playing for a non-registered team before his/her release from the first team is signed, may be subject to suspension by the OBA Board of Directors.
- f) Any player who has not been played by his/her team in 3 or more consecutive league games has the right to appeal to the OBA Board of Directors should his/her team refuse to release him/her.
- g) Where a Local Association or Direct Entry grants a player a release, such release is valid and remains in full force and effect so long as the player continues to play for the Local Association or Direct Entry with which the player signed an OBA playing roster on the basis of having been granted such release.
- h) No player may participate in any game(s) or practice(s) with a team that does not hold his/her playing rights. A player must secure a release from the Direct Entry or Local Association that holds his/her playing rights under these rules, before he/she may participate in any game(s) or practice(s) with any other team. Failure to do so will leave said player open to suspension by the OBA.

- i) Any coach or manager who allows a player to participate in any game(s) or practice(s), with a team that does not hold his/her playing rights will leave said coach and/or manager open to suspension by the OBA.
- j) No player, coach or manager may approach any other player for whom their team does not hold the playing rights with the intent of securing said player for their own team without the permission of the Direct Entry or Local Association that holds the player's playing rights. Violation of the rule will leave the player, coach and/or manager open to suspension by the OBA.

P1-5 PLAYERS MAY ADVANCE TO HIGHER SERIES

- a) A player in any series Junior or below shall be allowed to advance on his/her having signed a team roster and compete with a team in each higher series in his/her own Local Association without affecting his/her status in the series and classification in which he/she signed. Any player who advances must play with his/her original team when the team he/she advances to and the team he/she signed with have games on the same date. (Note: Any team knowingly postponing a game so that a player may advance will be suspended from the OBA Play-offs.) (Local Association shall be interpreted to be the one in which the player is signed.)
- b) A player may advance as follows:
 - i) A Rookie may advance only to Mosquito,
 - ii) A Mosquito may advance only to PeeWee,
 - iii) A PeeWee may advance only to Bantam,
 - iv) A Bantam may advance only to Midget.

P1-6 PLAYER REGISTRATION

- a) A permanent identification number will be assigned to an OBA registered player based on his/her birth registration number. For players without a birth registration number, and not registered with the OBA before 1998, the OBA will assign a permanent identification number.
- b)
 - i) The OBA shall update the eligibility for a series for all previously registered players, based upon the player's birth year, at the beginning of each subsequent calendar year.
 - ii) Team rosters will be prepared by the OBA, by sorting the updated player information by Local Association or Direct Entry and by series. Team rosters shall be printed by the OBA showing all current player information, not including managers and coaches.
 - iii) The team rosters will be distributed by the OBA to the respective registrar of the Affiliated Association at or before the Secretary-Registrars' Meeting, to be held on a date established by the OBA.
 - iv) The Affiliated Association registrar shall distribute the team rosters to the Local Association, in the usual manner, within the Affiliated Association.
 - v) The team manager updates, as necessary, the information on the team roster to ensure that the information listed for each player is complete and accurate. Players who should not appear on the team roster are deleted by putting a single line through that player's information. Complete information for all new players to the team roster, is added, in ink, including date of birth and birth registration number. Complete information is added, in ink, for all team managers and coaches.
 - vi) After all information on the team roster has been confirmed or updated, the team manager shall have the parent of the player, if that player is under the age of 18, at the time of signing, or the player, if that player is of age 18 or older, at the time of signing, sign the team roster next to the player information. The signature shall indicate that the information is correct and that participation of the player shall be in accordance with the Constitution of the OBA.
 - vii) The team manager shall draw a line through all unused rows of the team roster. The team manager shall sign the bottom of the team roster, after all necessary changes have been made, accepting responsibility for the authenticity of

the information shown on the team roster. The team manager shall submit the signed team roster to the Affiliated Association registrar, through the Local Association as appropriate, in the usual manner.

- viii) The Affiliated Association registrar shall check the submitted team roster ensuring that all information is complete and accurate (i.e. players are registered for the proper team and series, birth records are confirmed, necessary player releases are included, etc.), that all required player releases for the current year are complete and accurate, all unused rows have been deleted by a line through them, the complete team name and series is shown, etc.
 - ix) The Affiliated Association registrar approves the team roster by affixing his/her signature/stamp, thereby accepting responsibility for confirming that the team roster is complete and correct. The Affiliated Association registrar then submits the team roster, including where necessary, copies of birth records, releases, etc., to the OBA.
 - x) The OBA shall review the team roster submitted to ensure that the information for each player, coach and manager is complete, the signature of the team manager and the signature/stamp of the Affiliated Association registrar are on the bottom of the team roster and the required number of players and coaches is present (i.e. at least 1 manager/coach and a minimum of 9, maximum of 25 players), copies of birth records and player releases are attached as required, no player is registered in a series for which he/she is not eligible, etc.
 - xi) The OBA shall then update the player database from the team roster, making all corrections, additions or deletions, as submitted.
 - xii) The OBA shall print 3 copies of the team roster and deliver them to the Affiliated Association registrar.
 - xiii) The Affiliated Association registrar shall review the information on each team roster. If all of the information shown is correct, the Affiliated Association registrar shall sign/stamp all copies of the team roster. The Affiliated Association registrar shall retain one copy of the team roster and forward all remaining copies of the team roster to the Local Association and the team, in the usual manner. The Local Association, if appropriate, shall distribute the team rosters to its teams, in the usual manner.
 - xiv) The team manager shall have the player, regardless of his/her age, sign the team roster in the space provided. The team manager shall retain the team roster for presentation when requested.
- c) Player(s) being added to a team roster, subject to the deadlines noted below, after the team roster has been returned by the OBA, must be submitted on a blank team roster, following all of the procedures previously. The OBA, after updating the player database with the new player(s), shall print a revised team roster for the new player, and forward it to the Affiliated Association registrar. The Affiliated Association registrar shall review the new team roster and distribute it as noted previously. The Affiliated Association registrar is responsible for ensuring that all superseded team rosters are destroyed.
 - d) Player(s) being deleted from a team roster, subject to the deadlines noted below, after the team roster has been returned by the OBA, shall be indicated by drawing a single line through that player's information on the team roster and the team roster resubmitted through the Affiliated Association registrar to the OBA, following all of the procedures previously. The OBA, after updating the player database with the deletion(s), shall print a revised team roster, and forward it to the Affiliated Association registrar. The Affiliated Association registrar shall review the new team roster and distribute it as noted previously. The Affiliated Association registrar is responsible for ensuring that all superseded team rosters are destroyed.
 - e) All team rosters must be sent to the OBA Office on or before June 30th, of the current playing year, except by Affiliated Associations with an approved OBA Registrar, for whom the date is July eighth, of the current playing year. Team rosters submitted to the OBA, not completed correctly, must be resubmitted to the OBA Office no later than August eighth of the current playing year. Where an entire team (which is playing an Affiliated Association schedule prior to June 30) fails to submit a roster to the applicable Affiliated Association registrar or the OBA Office within the time frames contemplated by this section, the team may register late upon paying a \$500 late registration fee to the OBA. In so registering, the team must provide evidence satisfactory to the OBA Registrar that the players listed as being part of such team were part of such team prior to June 30. Note: This provision does not permit individual players to be added to team rosters after June 30.

- f) No player shall be added to a team roster before September 15th of preceding year, nor after June 30th of the current playing year.
- g) Affiliated Associations must forward all team rosters and certificate tax for all of their players and teams whether they participate in the OBA Play-offs or not. Team managers shall ensure that the signature/stamp of the OBA Registrar or designate, is on the team roster. No player may participate in an OBA tournament or Play-off without his name on a team roster, unless otherwise approved by the OBA.
- h) Where this section refers to the OBA printing or providing team rosters, the same may be provided in electronic form.

P1-7 TEAM NUMBER

A team must have 9 signed players and may have a maximum of 25 players who must be signed to a team roster of the series of the team entered. Each team must have at least 1 manager, and/or 1 or more coaches, signed to the roster clearly marked “Manager” or “Coach” and who shall be responsible for that team.

P1-8 PROFESSIONAL PLAYERS AND REINSTATEMENT

- a) Any player signed by a professional baseball club of the National or American Leagues of Professional Baseball Clubs, or of the National Association of Professional Baseball Leagues, who has received his/her unconditional release or has been placed on the Voluntary Retired List by said professional club before June 30th of the playing season shall become eligible for reinstatement to play in the OBA immediately when he/she returns to his/her home city or town, or to the team he/she left to turn professional or he/she may play with any other team providing he/she qualifies under the residence rule.
- b) All applications for reinstatement must be accompanied by a letter from the Office of the President of the National Association of Professional Baseball Leagues or a copy of the release from the applicable professional organization.
- c) A player shall be considered to have turned professional when he/she plays his/her first game, either exhibition or league with a professional club.
- d) The release or voluntary retirement must accompany any application for reinstatement.

P1-9 ELIGIBILITY

- a) Players are not eligible to register with the OBA for the then current playing season if they have registered with a non-recognized baseball program operating in the Province of Ontario for any part of such playing season. Players registered with the OBA for the then current playing season who register with a non-recognized baseball program shall be subject to suspension in accordance with section P7-1.
- b) Where an entire team of players desires to register as a team with a non-recognized baseball program, the Local Association operating such team may, if it has the approval of its Affiliated Association, apply to the OBA for OBA recognition of the non-recognized baseball program. The OBA may in its absolute discretion recognize or refuse to recognize such other baseball program.
- c) Individual players may participate with a non-recognized program outside of the province if he secures letters of permission from: (1) OBA Coach and/or Manager (2) Local Association Executive and (3) Affiliate Association Executive; allowing him/her to play with a specified team or organization. (All letters and information shall be forwarded to the OBA through the Affiliated Association)
- d) For the purpose of this section P1-9, the following terms shall have the following meanings:
 - i) “non-recognized baseball program” shall mean any baseball program other than (1) a baseball program operated exclusively by the OBA, its Affiliated Associations and its Local Associations, (2) a high school, college or university baseball program, (3) a baseball program operated exclusively by an associated member of the OBA, or (4) a baseball program sanctioned by the OBA Board of Directors.
 - ii) “playing season” shall mean the period from May 15 through to the end of the Labour Day weekend.
 - iii) “registered” includes any form of signing or registration process and any player participating on a regular basis with a non-recognized baseball program shall be deemed to have been registered with such program.

- e) A player participating in another recognized program shall have the right to sign only with the OBA Local Association that holds his/her playing rights. If the player is not signed by such Local Association, then he/she shall not be entitled to sign with another Local Association.

P2 SPECIAL PLAYING RULES

P2-1 BATTING AND FIELDING PRACTICE

- a) Except as provided for in the OBA Constitution and By-Laws, the Official Playing Rules of Baseball shall govern all games. Where the home team operates under floodlights they shall reserve the right to play any or all the OBA Play-off games under the lights.
- b) In all OBA Play-off games, the diamond must be properly laid out; the batter's box marked; the pitcher's mound properly built up and the playing field kept sufficiently clear of spectators and obstructions for the proper performance of the players.

P2-2 APPROVED BASEBALLS

MAKE	MODEL	SERIES	
		Up to PeeWee	Bantam - Senior
DIAMOND	D1C DOLBC D2C D3C	✓ ✓ ✓ ✓	✓ ✓ ✓ To Midget
DR SPORTS DENAULT ROLLAND	BB11 BB12 BB85	✓ ✓ ✓	✓ ✓ ✓
RAWLINGS	TVB R65 65CC ROLB1 80CC R80 R-100 ROML ROLB	T-Ball ✓ ✓ ✓ ✓ ✓ ✓ ✓ ✓ ✓	- to Midget to Midget to Midget ✓ ✓ ✓ ✓ ✓
WORTH * Official Ball of Baseball Ontario Elimination Tournaments	T4S/CHTB RIF5S BCAF *MLH MLR	T-Ball Rookie ✓ ✓ ✓	- - To Midget ✓ ✓

P2-3 COACHES AND MANAGERS

- a) All coaches and field managers must be certified NCCP Level 1 in technical and theory. Those not previously registered with any team have until May 1st of the following season obtain NCCP Level 1 theory.
- b) In Junior and below, at least one certified coach or manager listed in the Helpers Roster of the Local Association must be present and on the bench for each game. If there is no coach/manager present or the only coach/manager present is ejected, then the game is forfeited.
- c) All coaches and managers come under the jurisdiction of the umpires during games and are subject to penalties. The umpires shall see that the rules governing coaches and managers in all games are strictly enforced.

P2-4 EJECTIONS

Any player, coach or manager ejected by an umpire from any OBA Play-off or Tournament (Elimination, Play-off or other sanctioned tournament) game is suspended for 1 game, and this to be the next scheduled game in that tournament or Play-off. The player, coach or manager may be subject to further suspension depending on the severity of the circumstances leading to the ejection at the discretion of the tournament host's protest and discipline committee.

P2-5 UNIFORMS/EQUIPMENT

- a) In all games in all OBA series, all team personnel, including the manager and coaches, must be in complete baseball uniform.

Note: Complete baseball uniform shall consist of:

- corresponding tops or jerseys (with proper numbers),
- corresponding (similar) baseball caps
- baseball pants (no shorts)
- corresponding stirrup or baseball socks.

- b) Provided the teams are completely uniformed the uniformity as laid down by the Official Playing Rules of Baseball be disregarded and no protest will be considered by the OBA after the game has been played.
- c) The on deck batter, batter, base runners and batboy/batgirl must wear a prescribed protective helmet with flaps, covering both ears. This may not be changed except after the inning has been completed, or the player has been retired or has crossed home plate. In Rookie Ball, T-Ball, Minor Mosquito, Mosquito, PeeWee Girls, Minor PeeWee, PeeWee, Minor Bantam, Bantam and Bantam Girls helmet chinstraps are mandatory and will be worn as designed by the manufacturer.
- d) In Rookie Ball, T-Ball, Minor Mosquito, Mosquito, PeeWee Girls, Minor PeeWee, PeeWee and Bantam Girls shoes with metal cleats are prohibited.
- e) All catchers are required to wear a mask with throat protector, helmet, chest protector, shin guards, cup and a cup-type supporter.
- f) Any team member serving as a catcher to warm up a pitcher shall wear a mask with throat protector.
- g) In addition to wooden bats, metal bats shall be allowed in OBA play. Subject to the following sentence, these bats shall meet the dimensional requirements, specified in rule 1:10 of the Official Rules of Baseball. All bats used in Minor Midget, Midget, Junior and Senior will not exceed 2 5/8" in diameter and will not have a weight to length differential of greater than three ounces. For all Midget AAA, all Junior, and all Senior OBA play only wood bats shall be permitted.
- h) Pitchers will be allowed to wear Medic-Alert bracelets on the wrist of their pitching arm if such bracelets are locked or cannot be transferred to their non-pitching wrist.
- i) There is no visible jewellery allowed.

P2-6 SUBSTITUTIONS

- a) In Minor PeeWee, PeeWee, PeeWee Girls, Minor Bantam, Bantam, Bantam Girls, Minor Midget, Midget, Women's and Junior ball any starting player may be substituted for and returned to the game, one time only. He/she must return to his/her original place in the batting order. Any pitcher, if removed from the game may return, but may not pitch. Any

further substitutions do not jeopardize the right of re-entry for the original/starting player. Any starting player returned to the game may pitch if he/she has not previously assumed that position.

- b) In Minor PeeWee, PeeWee, PeeWee Girls, Minor Bantam, Bantam, Bantam Girls, Minor Midget, Midget, Women's and Junior ball in the event that all players have entered the game and an injury(s) occurs, the opposing manager shall have the right of selecting any remaining player(s) as the replacement. Note: This rule does not apply to ejections from a game.
- c) In Minor Mosquito and Mosquito games, all players present at the game shall be listed on the team's batting line-up in the order desired by the manager/coach and bat in that order. Late arrivals shall be added to the bottom of this batting order. In the event a batter must be removed due to injury or official ejection during the time at bat, the next batter in the batting order shall come to bat assuming the balls and strikes count at the time the batter is removed. If the batter becomes an out, such batter shall assume such batter's regular turn at bat. If a player is removed from the game due to injury, illness or official ejection, the player's spot in the batting order shall be deleted and the player listed immediately after the removed player in the batting order shall be the proper batter to follow the player listed immediately before the removed player in the batting order. If a runner is removed by reason of injury or official ejection from the game, the player last put out shall act as pinch runner for the removed player. By virtue of the rule there shall be no pinch runners or pinch hitters allowed. Also, unlimited substitutions defensively are allowed (including for injury or official ejection) except, in Minor Mosquito, Mosquito and PeeWee Girls games, a pitcher once removed from pitching may not return to pitch in that game.
- d) Each manager will see that the umpire-in-chief is provided with a batting order card listing the batting order of his/her players for the commencement of the game. This card shall list (i.e., print legibly) each player's first and last name, his/her uniform number and position. It shall also list the substitute players, coaches and manager including their uniform number. Bona fide players of either team, who arrive after the commencement of the game, may have their names added to the list upon reporting to the umpire-in-chief.
- e) If a player re-enters or enters the game illegally: offensively, this shall be considered as a batter hitting out of order; defensively, the proper player shall replace him.

P2-7 PROTESTS

- a) Home and Home Style Play-offs:
 - i) Protests are to be mailed to the Protest Chair postmarked within 48 hours of the end of the game under protest. The \$50.00 fee will accompany it.
 - ii) Copies of the protest are to be sent to (1) the OBA President (2) the OBA Office (3) the Series Chair and (4) the manager of the other team.
 - iii) The Protest Chair will decide on behalf of the President, whether there is reason for holding a protest meeting.
 - iv) The site and time of the protest meeting will be decided by the Protest Chair.
 - v) Results of the protest hearings will be sent by the Protest Chair to the OBA President, both teams, the OBA Office, the Series Chair and the Overall Series Chair.
- b) Once a protest has been dealt with by the OBA or a committee delegated to act in such matters by the OBA, any ruling handed down must be considered as final by the OBA. No further action will be taken.
- c) The Protest Chair has the power in a home and home style OBA Play-off to appoint a committee to handle all protests which must be disposed of 5 days from the time the Protest Chair receives the complete protest, etc.
- d) Each team may be represented at the hearing by 2 representatives, only 1 of whom shall be permitted to speak. Where Direct Entries, Local Associations, Affiliated Associations or teams are only called in to give evidence they shall not be required to deposit a defence fee.
- e) All correspondence regarding protests and defence of appeals must be forwarded by registered mail.
- f) Protests based on umpires' judgment decisions will not be permitted.
- g) A protest based on an umpire's interpretation of the rules must be lodged with the umpire before the game resumes, and the opposing team must also be advised by the umpire before the game resumes.

- h) Even if it is held that the protested decision violated the rules, no replay of the game will be ordered unless in the opinion of the Protest Chair the violation adversely affected the protesting team's chances of winning the game.
- i) Teams or players which knowingly play against ineligible players and do wilfully conceal this knowledge from the OBA until it shall suit their convenience to use it in any protest which may arise shall be considered equally guilty with the offending team or players and shall be dealt with accordingly.
- j) Tournament OBA Play-off:
 - i) The Series Chair will make sure that there is a Protest Committee Chair.
 - ii) The Protest Committee has the right to rule whether a protest will be heard.
 - iii) If the protest is heard and denied, the team will be billed \$50.00.
- k) Emergency Situations:
In an emergency situation the protest will be dealt with by the Series Chair in consultation with the OBA Protest Chair and the OBA President.

Note: No protests will be entertained regarding coaches or managers being listed on a roster team. A coach or manager signed with 1 team in an organization may act as coach or manager for any other team in that organization.

P2-8 PROHIBITION ON THE USE OF TOBACCO PRODUCTS

Players, coaches and umpires in uniform must refrain from using any tobacco products during all games. Penalty for this will be immediate ejection for players or coaches and may result in loss of accreditation for umpires.

P2-9 SUNDAY BASEBALL

Teams who will not play Sunday Ball must register through their Affiliated Associations by June 30th. If a team plays Sunday Ball in their Affiliated Association, it must play Sunday Ball in the OBA Play-offs, if so ordered. (This section does not apply to teams in tournament style OBA Play-offs.)

P2-10 PITCHING RULES

- a) In Minor Mosquito, Mosquito, PeeWee Girls, Minor PeeWee and PeeWee no player shall pitch more than 7 innings on any calendar day and no more than 14 innings in any tournament or series that is of 4 days or less duration. If a player pitches 5 or more innings in any day he/she cannot pitch the next day - the player must have 2 nights rest. Any player who assumes the pitching position in an inning will be charged with an inning pitched.
- b) In Minor Bantam, Bantam Girls and Bantam no player shall pitch more than 9 innings on any calendar day and no more than 14 innings in any tournament or series that is of 4 days or less duration. If a player pitches 5 or more innings in any day he/she cannot pitch the next day - the player must have 2 nights rest. Any player who assumes the pitching position in an inning will be charged with an inning pitched.
- c) A Minor Midget, Midget or Women's player may not pitch more than 27 outs on a calendar day. If the 27th out occurs during the course of an inning the pitcher may complete the inning.
- d) Junior pitchers shall not pitch more than 36 outs on a calendar day. If the 36th out occurs during the course of an inning, the pitcher may complete the inning.

Note: Innings/outs pitched will apply to the calendar day in which they were pitched. The calendar day applies regardless of the tournament schedule, day on which the first round completes, or delays caused by darkness or weather (however, a pitcher continuing in a suspended game shall not be charged for the same inning twice).

- e) Illegal pitching penalty: Where a player pitches more innings or outs than is permitted, the player's team shall forfeit the game. A second violation by a manager's/head coach's team will result in his/her indefinite suspension. Any player advancing to play in a higher series shall be restricted to the pitching rule of the series in which he/she is registered.
- f) In Minor Mosquito, Mosquito, PeeWee Girls, Minor PeeWee and PeeWee games, the number of trips to the mound by manager/coach shall not be limited except when the umpire rules that the purpose of the trip is to delay the game. In Minor PeeWee or PeeWee, the pitcher, if removed after the second or subsequent trip in an inning, may continue in the game at another position but shall not be permitted to return to pitch in that game. In Minor Mosquito, Mosquito and PeeWee Girls

games, a pitcher once removed from pitching, regardless of the trips to the mound by the manager/coach, may not return to pitch in that game.

- g) From Minor Bantam to Senior, a second trip by a manager/coach to the same pitcher in the same inning shall result in the pitcher's automatic removal from the pitching position. The pitcher, once removed after the 2nd trip in an inning, may continue in the game at another position but shall not be permitted to return to pitch in that game.

P2-11 DESIGNATED HITTER

A designated hitter may be used for a pitcher from Minor Midget to Senior as per the Official Rules of Baseball 6:10(b).

P2-12 EXCEPTIONS TO OFFICIAL RULES OF BASEBALL

- a) Notwithstanding Rule 7.04c) of the Official Rules of Baseball, in all OBA games, a fielder may not enter the dugout or bench area to make a legal catch. Any such ball shall be declared dead.
- b) Notwithstanding Rule 5.10(f) of the Official Rules of Baseball, in all OBA games, where a fielder carries a live ball into dead ball area, the ball shall be declared dead and all runners shall be awarded 1 base without liability of being put out.
- c) In Minor Mosquito and Mosquito, base runners cannot leave the base until the ball leaves the pitcher's hand. If an infraction occurs, 1 warning will be issued and for any further infractions thereafter, the runner will be called out. (Each team to receive 1 warning.)
- d) In minor peewee, peewee, minor bantam and bantam teams may opt to utilize 10 batters in the starting line-up. The additional batter shall be deemed as the extra player (EP). The following rules for the EP shall apply:
 - i) The option to use the EP must be declared when handing in the line-up card prior to the start of the game.
 - ii) The EP may bat in any place in the batting order.
 - iii) The EP will be considered a defensive position and eligible for re-entry.
 - iv) If a team using the EP has any players ejected or injured and it results in the team having less than 10 players in the line-up the game shall continue with 9 players. The batting order will be shifted up to fill the void but otherwise remains the same.

Note: If the player starting in the EP is moved into a defensive position his place in the batting order does not change. The new EP will bat in the place of the player they replaced.”

P2-13 CONTACT RULE

Runners are instructed to slide or attempt to avoid making contact with a fielder. A player who maliciously runs into another player is to be declared out (unless he/she has scored prior to committing the infraction) and is to be automatically ejected (whether or not declared out).

Contact shall be considered malicious if:

- a) the contact is the result of intentional excessive force, and/or
- b) there is an intent to injure.

Malicious contact is to be penalized whether committed by an offensive or defensive player.

The umpire shall determine whether contact was avoidable or unavoidable - whether the runner was trying to reach the base/plate or attempting to dislodge the ball from the fielder. If the runner a) could have avoided the fielder and reached the base or b) attempted to dislodge the ball, the runner is out even if the fielder loses possession of the ball. The ball is dead and all other runners shall return to the last base legally occupied by them at the time of the contact.

If the fielder blocks the base path, the runner may make contact, slide into or collide with the fielder as long as the runner is making a legitimate attempt to reach the base/plate. If the collision is flagrant, the runner is called out and ejected. The ball is declared dead. If the defensive player blocked the base path clearly without possession of the ball, obstruction shall be called. The runner is safe and a delayed dead ball is called. If the runner collides flagrantly, he/she shall be declared safe due to obstruction but shall be ejected. The ball is dead.

P2-14 REPORTING ABUSE

Any incident that is considered to be verbal or physical abuse of or by any participants in any OBA games shall be reported by the tournament convenor(s), OBA officials and/or the umpire(s) to the OBA Office.

P2-15 GIRLS BASEBALL

- a) Only females are eligible to play Girls Baseball.
- b) The pitching distances shall be 50 ft for PeeWee Girls, 55 ft for Bantam Girls and 60' 6" for Women's.
- c) The distance between the bases shall be 75 ft for PeeWee Girls, 82 ft for Bantam Girls and 90 ft for Women's.
- d) Girls baseball OBA play-offs will be scheduled at least one week but not more than 2 weeks prior to Labour Day weekend.

P3 UMPIRES

P3-1 GENERAL

- a) The home team in a home and home style OBA Play-off shall notify and supply official OBA umpires. All umpires are to be classified as neutral. Any visiting team which wishes a change of umpires for the third or deciding game only, may request same through their Series Chair, but must pay the umpires' mileage or any other extra cost that may occur.
- b) All umpires and umpires' associations must be first approved by the Affiliated Association before they may qualify as registered OBA umpires. The OBA Umpiring Supervisor shall determine annually the umpires to be registered with the OBA. The umpire is to pay a registration clinic fee per year as determined by the OBA for which an umpire's card, crest, OBA Playing Rules and Regulations, Official Rules of Baseball and accident and liability insurance will be issued.
- c) A list of OBA registered umpires, with their municipality and telephone numbers, will be furnished by the OBA to all Affiliated Associations and Series Chairs. All registrations are to be renewed yearly.
- d) All umpires who have been approved and recommended should affiliate with an umpires' association in their district. Where none now exists an umpires' association should be formed. This association in turn shall affiliate with the Affiliated Association in their area. In districts where there are no Affiliated Associations established, the Direct Entries making application for direct entry into the OBA must follow the same procedure and recommend the names of umpires to be registered.
- e) Umpires handling OBA games must have an OBA Umpire Card. An umpire may not officiate any OBA game involving a team of which the umpire is a member, without the written consent of both managers.

- f) All umpires must show their OBA umpire's card to managers of teams and OBA Convenors in a home and home style OBA Play-off. The umpire-in-chief must file a complete report to the OBA Office, concerning accidents, ejections, delays in starting and protests. This report is to be signed by the umpire-in-chief and the base umpires. Reports must be forwarded for each game within 24 hours of scheduled time of game. In tournament play it is the responsibility of the host to ensure that all umpires are officially carded and recognized by the OBA. If any umpire used in a tournament is found not to be registered with the OBA and game(s) are played using the umpire, the game results shall stand, however, the host shall be fined \$100.00 for each incident and may be refused as host for any tournaments in the succeeding year.
- g) All umpires shall be properly dressed when officiating at any baseball games involving OBA teams [v.i.z. light blue or navy blue shirt (provided that all umpires officiating a game must be wearing the same coloured shirt), grey trousers, black shoes and proper black or navy blue cap, long sleeve navy blue v-neck sweater]. Failure to comply could mean loss of accreditation.
- h) In all final series of a home and home style OBA Play-off, 3 umpires will officiate with the exception of the Minor Mosquito, Mosquito, PeeWee Girls, Minor PeeWee and PeeWee where 2 umpires will suffice. In tournament style OBA Play-offs 2 umpires will suffice except for the final game(s) at Minor Bantam, Bantam, Bantam Girls, Minor Midget, Midget, Junior, Women's and Senior where there will be 3 umpires. 2 umpires will suffice for the final game(s) at T-Ball, Rookie Ball, Minor Mosquito, Mosquito, PeeWee Girls, Minor Peewee and Peewee.
- i) To qualify for a Baseball Ontario umpires card, an umpire must:

Level 1

Yearly attend a recognized Baseball Ontario umpire clinic.

Level 2

Yearly attend a recognized Baseball Ontario umpire clinic and pass a written test. Must be a level 1 umpire for at least one year.

If the test is not successful, the umpire will be certified Level 1.

Level 3

Yearly pay a certification fee and pass a written test. Must be a level 2 umpire for at least 3 years.

Every three years attend a recognized Baseball Ontario umpire clinic.

If the test is not successful, the umpire will be certified Level 2.

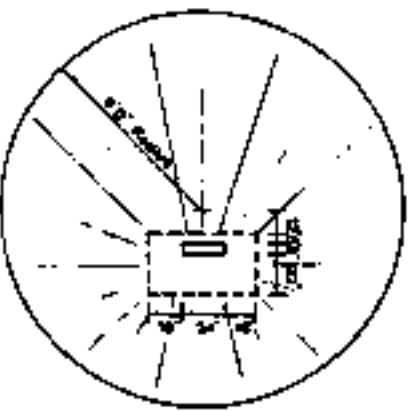
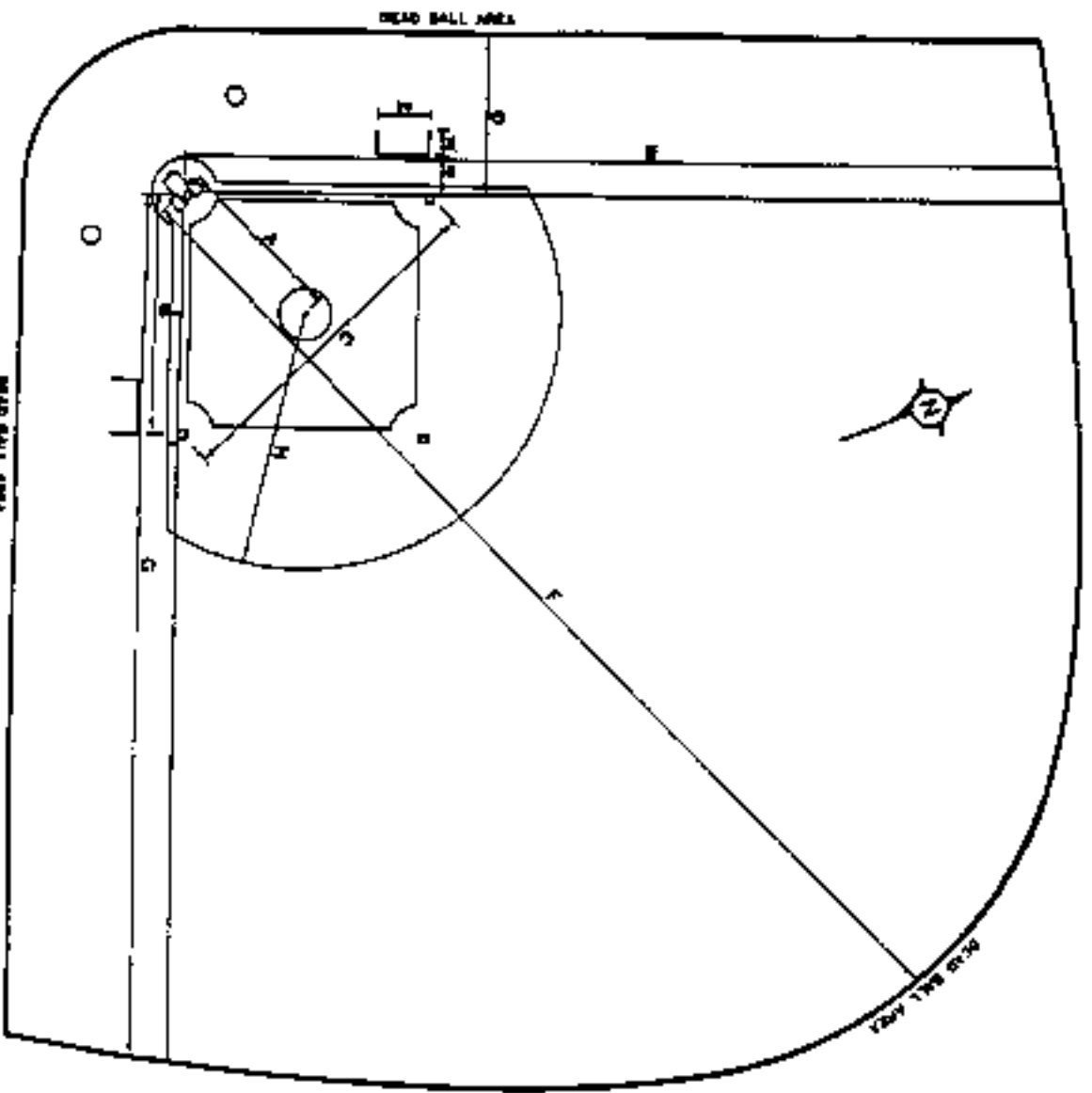
- j) Umpire Levels And Respective Series Effective Are:

Level I.....	House League up to and including PeeWee
Level II.....	Rep up to and including Midget
Level III.....	Up to and including Senior
Level IV.....	National Accreditation
Level V.....	International Accreditation

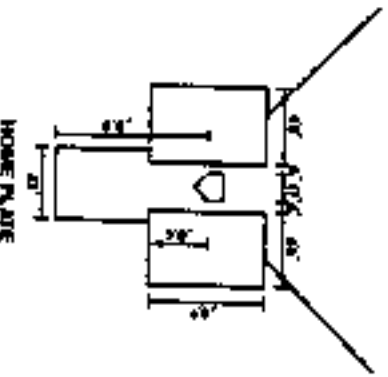
P3-2 FEES FOR UMPIRES

- a) Umpires' fees for OBA Play-offs will be determined locally.
- b) Mileage allowed for OBA umpires is \$0.27 per kilometre for all series. If umpires are requested from outside their respective Local Associations, mileage allowed will be for each umpire unless 2 or more come from the same city or town in which case, only 1 will be paid mileage allowance.
- c) In all OBA Play-off games which are postponed because of rain or other causes, if umpires arrive before notification of postponement, they shall be paid ½ of the fees plus mileage if applicable. If game has been started, the umpires will be entitled to full fees and mileage, if applicable.
- d) No umpires will be paid by the OBA. The home team in each game of a home and home style OBA Play-off must pay the umpires' fees.

FIELD DIMENSIONS



PITCHER'S PLATE AND MOUND



HOME PLATE

Series	Mound	Bases	Diagonal	RECOMMENDED GUIDELINES				
				Foul Area	Outfield Fence			Grass Radius
					Left	Centre	Right	
A	B	C	D	E	F	G	H	
Regulation	60'6"	90'0"	127' 3 3/8"	60'	325'	400'	325'	95'
Bantam Girls	55'0"	82'0"	115' 11 5/8"	55'	300'	365'	300'	85'
PeeWee	50'0"	75'0"	106' 3/4 "	50'	270'	335'	270'	80'
PeeWee Girls	50'0"	75'0"	106' 3/4 "	50'	270'	335'	270'	80'
Mosquito	44'0"	65'0"	91'11"	44'	235'	290'	235'	70'
Rookie Ball	44'0" ‡	65'0"	91'11"	44'	235'	290'	235'	70'
T-Ball	50'0"	60'0"	84' 10 1/4 "	40'	215'	265'	215'	50' †

† - measured from the centre of the Playing Line. ‡ - located at the centre point of an 8' diameter safety circle.
The respective dimensions for any Series shall be deemed to include the corresponding Minor Series, except where noted.

P5 OBA PLAY-OFFS, INCLUDING PRELIMINARY ROUNDS

P5-1 PROCEDURES AND RULES

- a) The OBA shall conduct and assist the different Affiliated Association representatives to meet and play off to determine the OBA champions.
- b) The OBA Board of Directors shall appoint a Series Chair to handle each series OBA Play-offs; the Series Chair shall have the power to disqualify any team for refusing or failing to play when ordered. A team that has been suspended shall have the right to appeal to the OBA Board of Directors for a hearing. All appeals must be accompanied with a fee of \$50.00.
- c) The secretary of each Affiliated Association shall notify the OBA Series Chair as to the representatives of his/her Affiliated Association, after which all arrangements regarding OBA Play-offs are to be completed through the management of the teams and respective Series Chair.
- d) Each Affiliated Association shall notify the OBA Series Chair by Tuesday midnight in advance of the start of the first game of either a home and home style OBA Play-Off or the OBA Play-off Tournament, of its representative in that series and classification. Failure to make such information available by the required deadline, to the Series Chair, shall result in the Affiliated Association forfeiting its place in the OBA Play-Offs, subject to P5-1 g), plus any other penalty that might be imposed by the OBA.
- e) For any OBA Play-off Tournament, where the Series Chair has recommended that the Affiliated Association be allowed to nominate all or some of its classified teams for participation, the Affiliated Association shall advise the representative OBA Series Chair, of its intentions within 72 hours. Failure to notify the Series Chair will be deemed to imply that the Affiliated Association is in acceptance of the recommendation."
- f) A committee shall be formed in each Affiliated Association to make the draws for all tournament style OBA Play-Offs within that Affiliated Association.
- g) In order that the final game may be played within a reasonable time, all teams competing in OBA games will be required to play 2 or more games a week.
- h) Any team failing to play a game when ordered will automatically forfeit their right to continue in OBA Play-offs. This causes a \$500.00 fine to be assessed to the team forfeiting.
- i) For tournament style OBA Play-Offs, the host shall designate a Tournament Convenor to convene the tournament. The Tournament Convenor shall not be a member of the host's team in such tournament.
- j) In order to be eligible to participate in the OBA Play-offs, teams must represent a city, town or municipality within the boundaries of the Province of Ontario. Players must be bona fide and continuous residents of the province in accordance with the OBA Rules and Regulations.
- k) No OBA Play-off game shall be scheduled before 1:00pm if the travelling team involved is further than 160 kilometres from location of said game. (Tournament style OBA Play-offs excepted.)
- l) The Tournament Convenor making arrangements for OBA Play-offs must contact both teams personally regarding dates and times for all games and any further arrangements that might be necessary.
- m) The Tournament Convenor must make such contacts at least 48 hrs in advance of said dates and times.
- n) A team roster, approved by the OBA Registrar, must be presented, before any player on an approved roster, is eligible to play in any OBA Play-off. The OBA Play-off Tournament host convenor shall be responsible for obtaining a copy of all applicable team rosters and submitting the copies to the OBA Tournament Chair. Failure to comply with such provisions will lead to the OBA Play-off Tournament host being fined \$200. A team, not submitting to the OBA Play-off Tournament host convenor an approved roster, will be suspended immediately and a \$200 fine will be assessed. In home and home style OBA Play-offs, the game convenor will be responsible for checking the rosters prior to the game and returning the rosters to the respective teams.
- o) In Tournament style OBA Play-offs, the tournament host is responsible for ensuring that each umpire is properly carded.
- p) Whenever possible, the OBA Play-offs shall be a tournament. If no host is found by the July meeting of the OBA Board of Directors, the Overall Play-off Chair shall have the right to find a site up to August eighth. If a site has not been established for a particular series, no Chair will be named for that series until August eighth, at which time it becomes a

home and home style OBA Play-off. Except for Minor Mosquito, Minor PeeWee, Minor Bantam and Minor Midget (“minor age series”) OBA Play-off Tournaments will be comprised of 1 team from each Affiliated Association, which has classified a team for such OBA Play-off Tournament, plus a host team. At a minor age series, the OBA Play-off Tournament may, at the discretion of the OBA Board of Directors, be a tournament open to all teams of the minor age series registered with the OBA. If a minor age series tournament is to be such an open tournament in any year, the provisions of section 2.04 o) of the OBA Constitution and By-Laws shall not apply to such minor age series for that year.

Note: All subsequent references in the OBA Constitution and By-Laws to first game, all OBA Play-off deciding games, home team(s), all OBA Play-off games, home team, final series, protest time of 48 hours, 5 days to handle the protests, refer to home and home style OBA Play-offs, and the combination of both where a home and home series is played. The Junior A OBA Play-off will be the Junior OBA Elimination Tournament.

- q) No team may play more than 3 games in a calendar day, without written consent of the team.
- r) In all series of the home and home style OBA Play-offs it shall be the best 2 out of 3; except in the final series in any category, if both teams agree, a longer series may be permitted. The OBA Board of Directors shall reserve the right to order a sudden death game in any semi-final or final OBA Play-off.
- s) In all OBA games (both home and home style and tournament style OBA Play-offs), a 10 run mercy rule shall apply after five 5 or more completed innings in a 7 inning game.
- t) In tournament style OBA Play-offs, byes are to be awarded as follows:
 - i) No team shall receive a back-to-back bye in successive rounds.
 - ii) No team shall receive a second bye until all remaining teams have received their first bye.
 - iii) If more than 1 team is eligible for a bye, the undefeated team shall automatically receive the bye.
 - iv) If more than 1 team is eligible for a bye, the bye team will be determined by means of a draw with the first team drawn receiving the bye and the remaining teams drawn to fill each game slot from top to bottom as drawn.
- u) Teams must be prepared to play on the Friday no earlier than 1 p.m. if necessary.
- v) Managers and coaches will be responsible for the conduct of their players both on and off the field until departure from the park. An infraction may result in a suspension for the next scheduled game in that OBA Play-off or to further suspension depending on the severity of the circumstances of the incident at the discretion of the tournament host's protest and discipline committee. Nothing in this paragraph t) limits the application of P2-5.
- w) The OBA Tournament Chair shall provide, immediately, to the Affiliated Associations a listing of any and all disciplinary problems with managers, coaches, players or other team personnel, as reported by the Series Chair.
- x) Where a team drops out of a tournament style OBA Play-off 7 or more days prior to the start of the tournament, the schedule for the tournament, if published, will be redone. If a team drops out of a tournament style OBA Play-off less than 7 days prior to the tournament and the schedule for the tournament has been published, any scheduled games not played due to teams having dropped out of the tournament shall be considered defaults and shall count as a game played and not as a bye in the tournament and the published chart shall not be changed.
- y) Team must be given a minimum of 30 minutes from the time of completion of the last game that they played, until the start of their next game. If a team must travel from another location, appropriate travel time shall be added to the 30 minute period.
- z) Barring extenuating circumstances, if 1 team is not able to start a game within 30 minutes of the scheduled starting time for such game, the game will be forfeited to the other team and in tournament style OBA Play-offs, the offending team will not be allowed to continue in the tournament. The game will count as a game played and not count as a bye in the tournament and the published chart shall not be changed.
- aa) The Tournament Convenor shall appoint an official scorer for each game (who may be the scorer of 1 of the teams playing). It is the responsibility of the manager or coach of each team to check the pitching outs/innings with the official scorer at the end of each game.

P5-2 BATTING AND FIELDING PRACTICE

- a) In all home and home style OBA Play-off games, the period for batting and fielding shall be: home team batting practice up to 45 minutes before advertised time of game; visiting team batting and infield practice for the next 30 minutes; home team fielding practice for the next 10 minutes. The home team shall be required to notify the teams of the termination of their allotted time for the various practices. It shall be the duty of the manager of the team at practice to order his/her team to vacate the diamond immediately. When a team is late for its allotted practice time they will forfeit their practice rights.
- b) For all home and home style OBA Play-off games the home team score keeper shall be the official score keeper.

P5-3 GAME LENGTH

- a) In tournament style OBA Play-offs, all games shall be 7 complete innings (6 1/2 complete innings if the home team is ahead), or until a winner is declared. If a game is delayed due to curfew, darkness, light failure or weather related conditions at any point prior to completion, the game shall be resumed from the point of delay.
- b) In home and home style OBA Play-offs, all games shall be 7 innings, or until a winner is declared. In case of games called due to curfew, darkness, light failure or weather related conditions the Official Rules of Baseball shall apply such that a game called for such purposes after becoming an official game shall be declared a complete and official game even if less than 7 innings were played. If the game is called for such purposes prior to becoming an official game, then it is resumed from the point of delay. A 10 run mercy rule shall apply after 5 or more completed innings have been played.
- c) Time limits are not permitted in any OBA Play-off games.

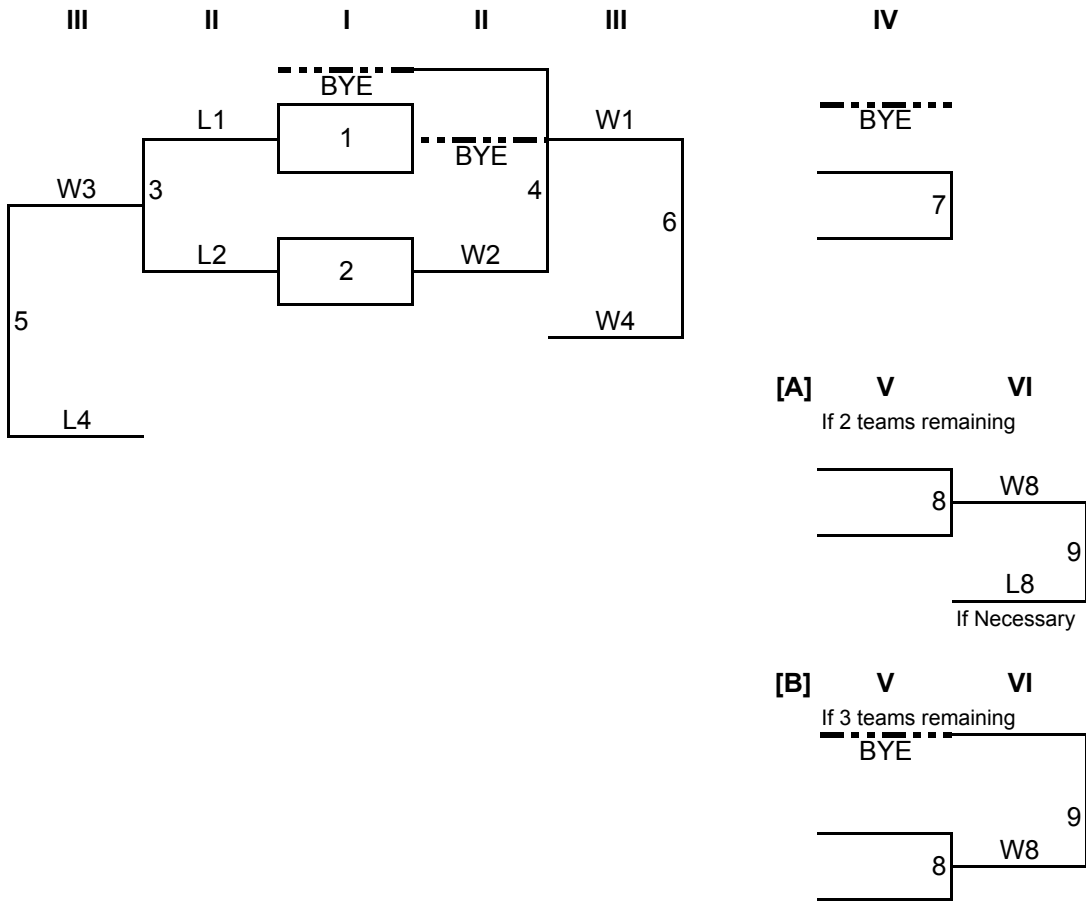
P5-4 HOME TEAM IN CHARGE OF GROUNDS

- a) In home and home style OBA Play-off games, the home team shall have control of the arrangements for grounds, officials, convenors, etc. The said arrangements are subject to the approval of the OBA Series Chair.
- b) No playing member of either team involved in any series will be allowed to act as convenor.
- c) All statements and OBA Play-off forms must be mailed (postmarked) to the Series Chair within 24 hours after each game.

P5-5 RESTRICTIONS FOR OTHER ORGANIZATIONS

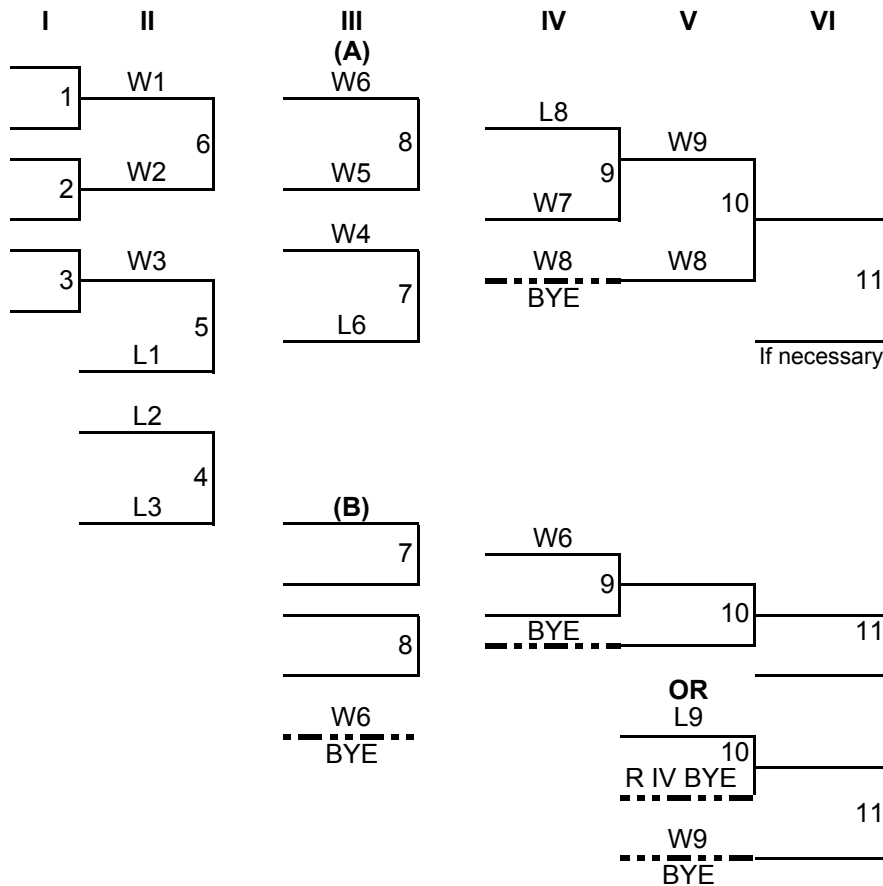
When the number of entrants to a tournament-style OBA Play-offs is restricted by other organizations, such as those tournaments played during the Ontario Summer Games, a preliminary round(s) shall be arranged to provide the necessary representatives. Where such preliminary rounds are required to reduce the number of entries, the names of all Affiliated Associations with teams in that Series shall be entered into a draw to determine the pairing(s) of the preliminary round(s). Where such preliminary rounds are required to increase the number entries, the names of all teams in that Series (after the determining the Affiliated Association representatives) shall be entered into a draw to determine the pairing(s) of the preliminary round(s).

**P5-4 FORMAT FOR OBA PLAY-OFF TOURNAMENTS
SCHEDULE TO BE FOLLOWED FOR A 5 TEAM TOURNAMENT**



- Round I: Draw for bye and pairings.
- Round II: L1 plays L2. Bye team plays W2. W1 receives a bye.
- Round III: W3 plays L4. W1 plays W4.
- Round IV: At this point, L3 and L5 have been eliminated. Only 3 teams remain, 1 is undefeated. If the undefeated team is (3-0), it automatically receives the bye. If the undefeated team is (2-0), the bye goes to the team that has not yet had a bye. If more than 1 team is eligible for the bye, then draw for the bye.
- Round V: If the undefeated team won or received the bye in Round IV, only 2 teams remain (1 undefeated). Use Bracket A. However, if the undefeated team loses in Round IV, 3 teams remain, all with 1 loss. Draw for the bye. Use Bracket B.
- Round VI: If necessary, there will be a sudden death championship game.

SCHEDULE TO BE FOLLOWED FOR A 6 TEAM TOURNAMENT



Round I: Draw for pairings.

Round II: L2 plays L3. W3 plays L1. W1 plays W2.

Note: After Round II, if W5 is undefeated, only 4 teams will remain. Use Bracket A. However, if W3 loses G5, there will be 5 teams remaining. Use Bracket B.

Bracket A Schedule:

Round III: L4 and L5 have been eliminated. W4 plays L6. W5 plays W6.

Round IV: L7 has been eliminated. Only 3 teams remain, 1 is undefeated with a (3-0) record. The undefeated team automatically receives the bye. L8 plays W7.

Round V: W9 plays W8.

Round VI: If necessary, there will be a sudden death championship game.

Bracket B Schedule:

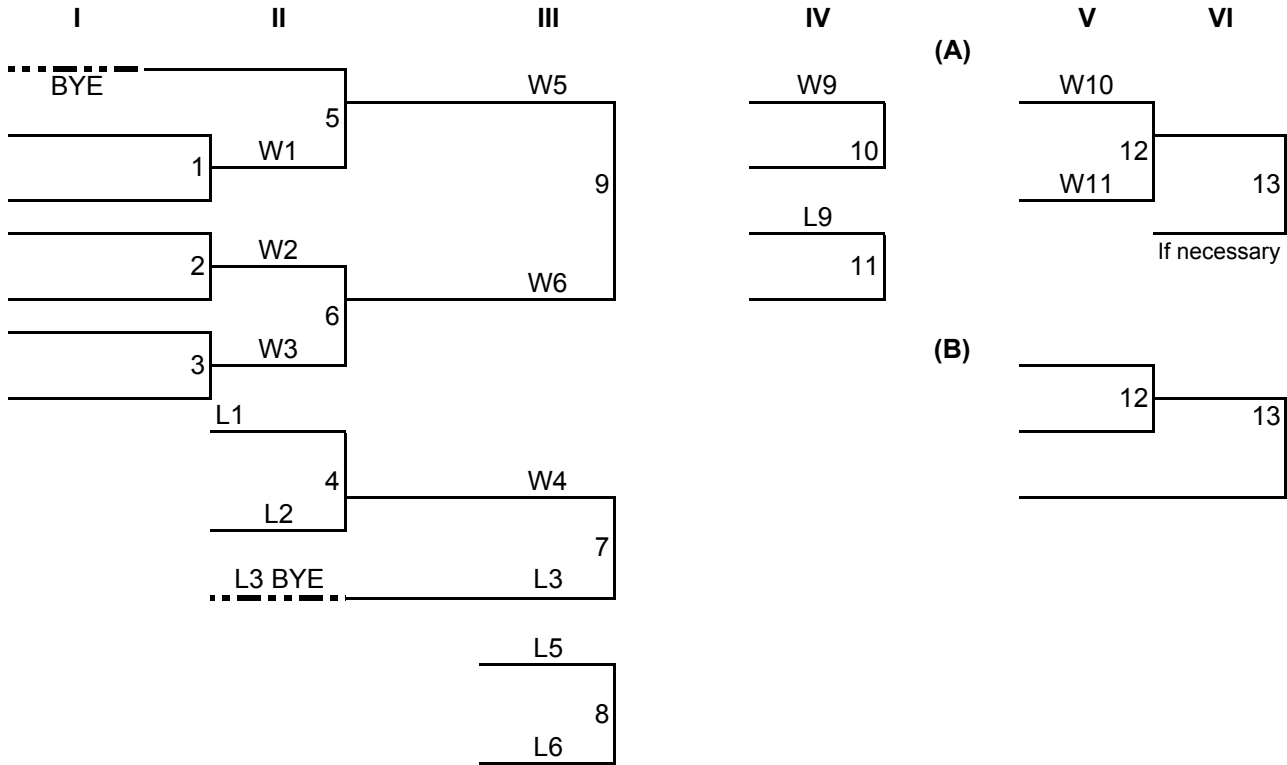
Round III: L4 has been eliminated. 5 teams remain, 1 is undefeated. The undefeated team (W6) receives the bye. Match the 4 remaining teams, avoiding previous match-ups if possible. Where avoiding previous match-ups is not possible, a draw shall be held to determine pairings.

Round IV: L7 and L8 have been eliminated. 3 teams remain, 1 is undefeated. W7 and W8 draw for the bye. The draw loser plays W6.

Round V: 2 or 3 teams remain. If 2 teams remain, W9 plays the bye team. If 3 teams remain, W9 receives the bye and L9 plays the Round IV bye team.

Round VI: If necessary, there will be a sudden death championship game.

SCHEDULE TO BE FOLLOWED FOR A 7 TEAM TOURNAMENT



Round I: Draw for bye and pairings.
 Round II: L1 plays L2. Round 1 bye team plays W1. W2 plays W3. L3 receives the bye.
 Round III: L4 has been eliminated. W4 plays L3. L5 plays L6. W5 plays W6.
 Round IV: L7 and L8 have been eliminated. At this point, 4 teams remain, 1 is undefeated. Match the 4 remaining teams, avoiding previous match-ups if possible. Where avoiding previous match-ups is not possible, a draw shall be held to determine pairings.
 Note: After Round IV, 2 or 3 teams remain. If 2 teams remain, use Bracket A. If 3 teams remain, use Bracket B.

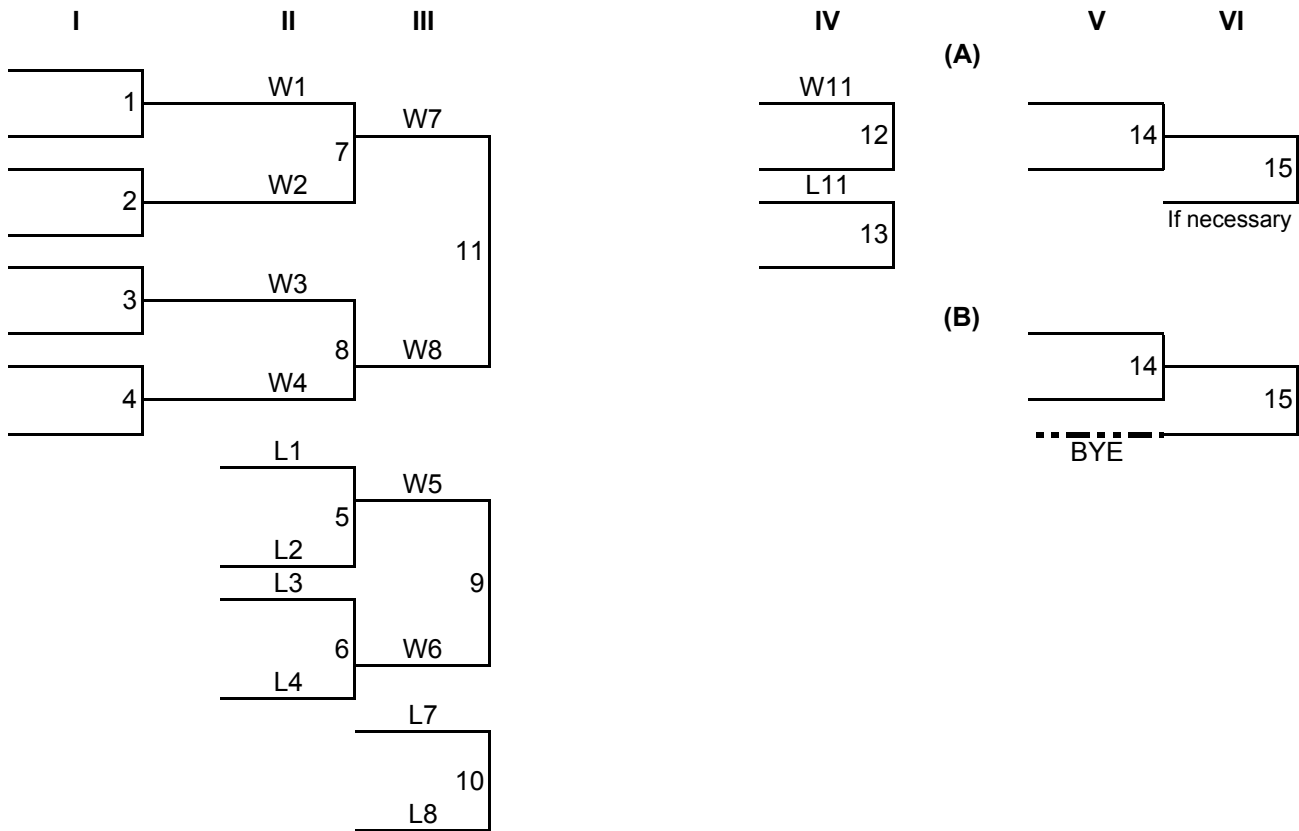
Bracket A Schedule:

Round V: W10 plays W11.
 Round VI: If necessary, there will be a sudden death championship game.

Bracket B Schedule:

Round V: Draw for the bye if more than one team is eligible. The 2 remaining teams play each other.
 Round VI: This will be a sudden death championship game.

SCHEDULE TO BE FOLLOWED FOR AN 8 TEAM TOURNAMENT



Round I: Draw for pairings.

Round II: L1 plays L2. L3 plays L4. W1 plays W2. W3 plays W4.

Round III: L5 and L6 have been eliminated. W5 plays W6. L7 plays L8. W7 plays W8.

Round IV: L9 and L10 have been eliminated. At this point, 4 teams remain, 1 is undefeated. Match the 4 remaining teams, avoiding previous match-ups if possible. Where avoiding previous match-ups is not possible, a draw shall be held to determine pairings.

Note: After Round IV, 2 or 3 teams remain. If 2 teams remain, use Bracket A. If 3 teams remain, use Bracket B

Bracket A Schedule:

Round V: W12 plays W13.

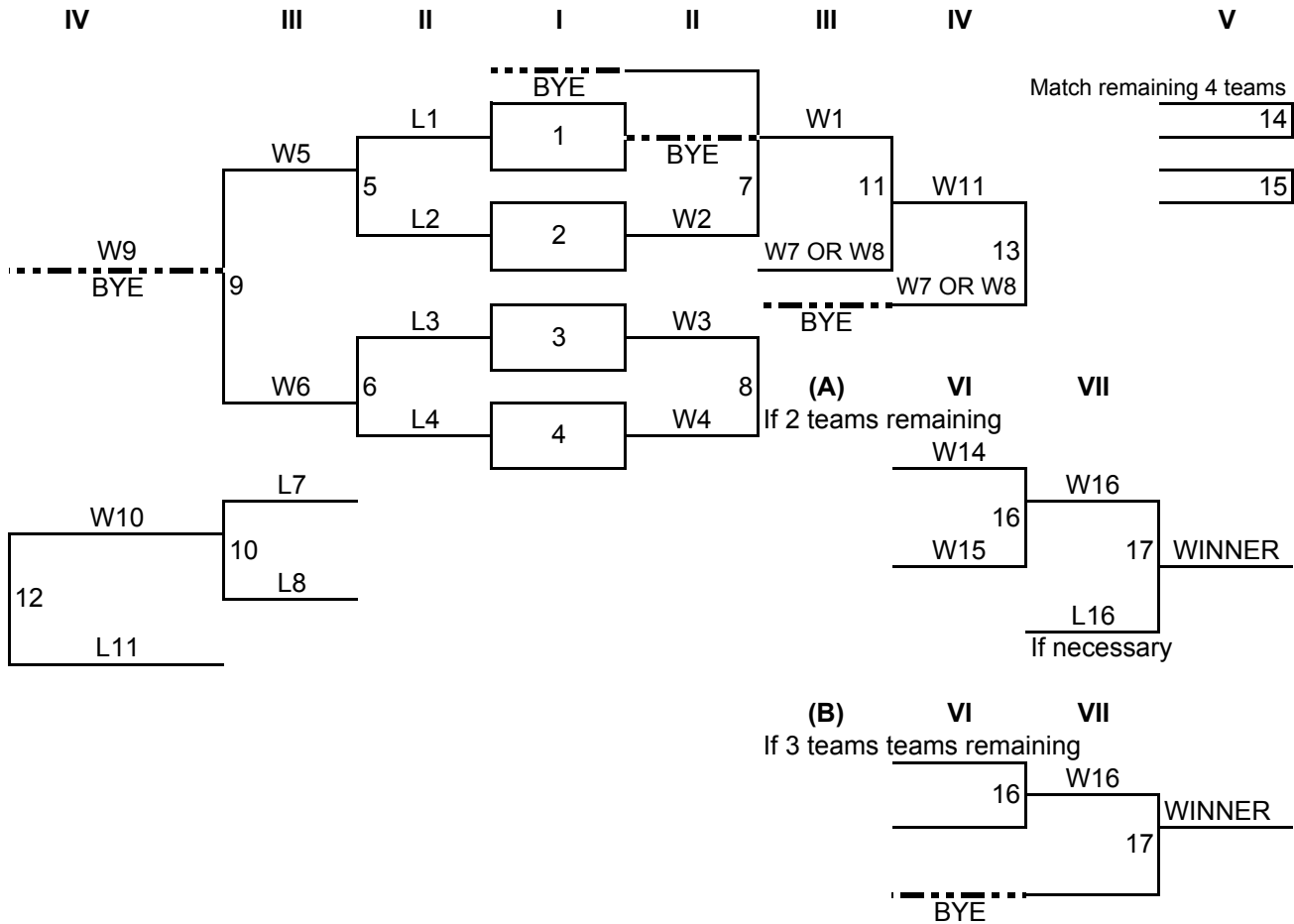
Round VI: If necessary, there will be a sudden death championship game.

Bracket B Schedule:

Round V: Draw for the bye among all teams. The 2 remaining teams will play each other.

Round VI: This will be a sudden death championship game.

SCHEDULE TO BE FOLLOWED FOR A 9 TEAM TOURNAMENT



- Round I: Draw for pairings. First team drawn receives the bye.
- Round II: L1 plays L2. L3 plays L4. W1 receives Round II bye. Round I bye team plays W2. W3 plays W4.
- Round III: L5 and L6 have been eliminated. W5 plays W6. L7 plays L8.
- Note: If W2 is W7, they receive the bye in Round III and W1 plays W8. However, if W2 loses G7, W8 receives the bye and W1 plays W7.
- Round IV: L9 and L10 have been eliminated. W9 receives the bye. W10 plays L11. W11 plays the Round III bye team.
- Round V: L12 has been eliminated. At this point, 4 teams remain, 1 is undefeated. Match the 4 remaining teams, avoiding previous match-ups if possible. Where avoiding previous match-ups is not possible, a draw shall be held to determine pairings.
- Round VI: 2 or 3 teams remain. If 2 teams remain, use Bracket A. If 3 teams remain, use Bracket B.

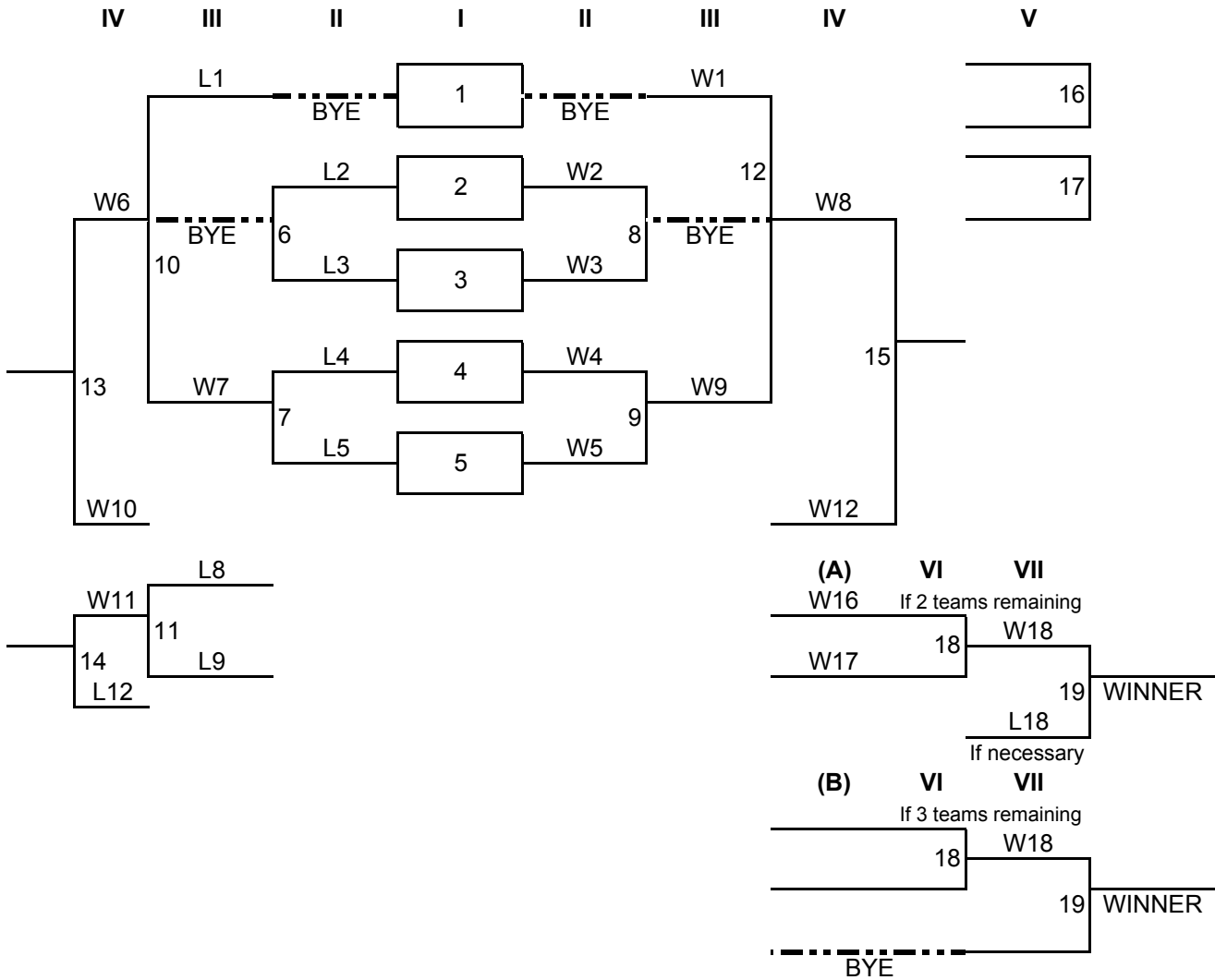
Bracket A Schedule:

- Round VI: W14 plays W15.
- Round VII: If necessary. W16 plays L16.

Bracket B Schedule:

- Round VI: Draw for the bye if necessary.
- Round VII: L16 has been eliminated. W16 plays bye team. Sudden death game.

SCHEDULE TO BE FOLLOWED FOR A 10 TEAM TOURNAMENT



Round I: Draw for pairings.

Round II: W1 receives the bye. W2 plays W3. W4 plays W5. L1 receives the bye. L2 plays L3. L4 plays L5.

Round III: L6 and L7 have been eliminated. W6 receives the bye. L1 plays W7. L8 plays L9. W8 receives the bye. W1 plays W9.

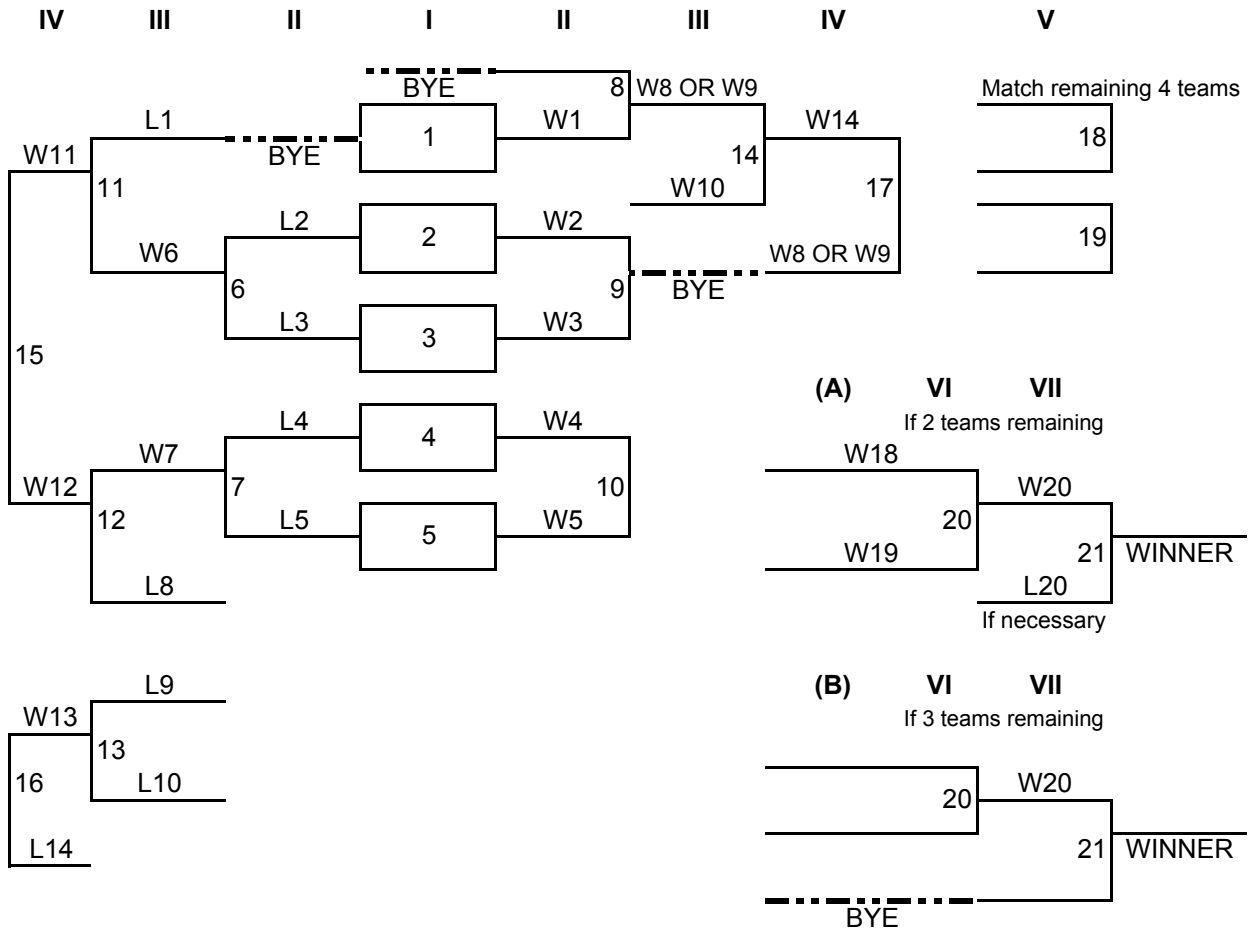
Round IV: L10 and L11 have been eliminated. W6 plays W10. W11 plays L12. W8 plays W12.

Round V: L13 and L14 have been eliminated. 4 teams remain, 1 undefeated. Match teams, avoiding previous match-ups where possible. Where avoiding previous match-ups is not possible, a draw shall be held to determine pairings.

Round VI: 2 or 3 teams remain. If 2 teams remain, 1 will be undefeated. Use Bracket A. If 3 teams remain, draw for the bye if necessary. Use Bracket B.

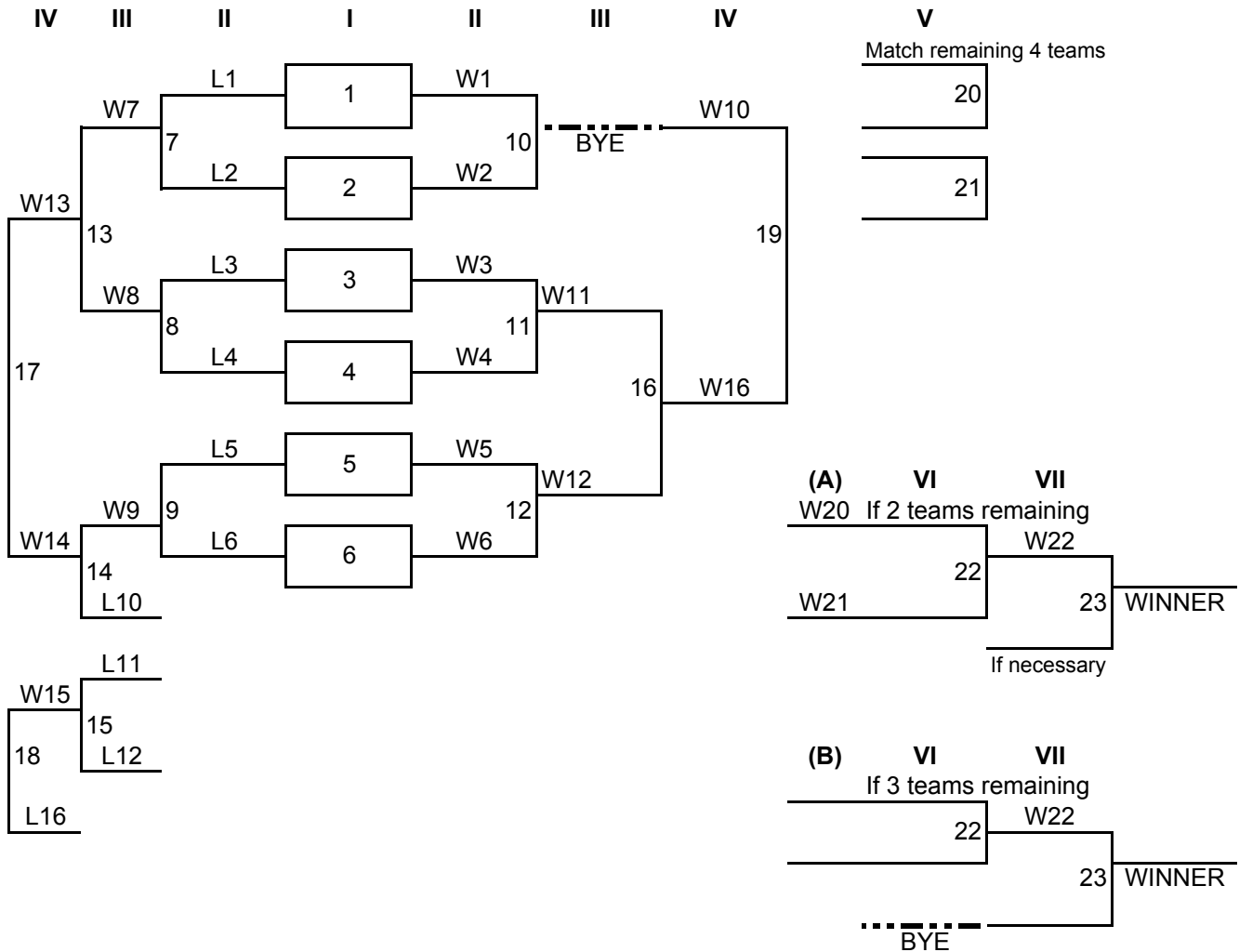
Round VII: If necessary, there will be a sudden death championship game.

SCHEDULE TO BE FOLLOWED FOR AN 11 TEAM TOURNAMENT



- Round I: Draw for pairings. First team drawn receives the bye.
- Round II: L1 receives the bye. L2 plays L3. L4 plays L5. Round I bye team plays W1. W2 plays W3. W4 plays W5.
- Round III: L6 and L7 have been eliminated. L1 plays W6. W7 plays L8. L9 plays L10.
- Note: If W8 is (2-0), they receive the bye. W9 plays the winner of G10. If W8 has had a bye, W8 plays W10 and W9 receives the bye.
- Round IV: L11, L12 and L13 have been eliminated. W11 plays W12. W13 plays L14. W14 plays the Round III bye team.
- Round V: L15 and L16 have been eliminated. Only 4 teams remain, 1 undefeated. Match teams, avoiding previous match-ups where possible. Where avoiding previous match-ups is not possible, a draw shall be held to determine pairings.
- Round VI: 2 or 3 teams remain. If 2 teams remain, use Bracket A. If 3 teams remain, draw for the bye if necessary. Use Bracket B.
- Round VII: If necessary, there will be a sudden death championship game.

SCHEDULE TO BE FOLLOWED FOR A 12 TEAM TOURNAMENT



Round I: Draw for pairings.

Round II: L1 plays L2. L3 plays L4. L5 plays L6. W1 plays W2. W3 plays W4. W5 plays W6.

Round III: L7, L8, and L9 have been eliminated. W7 plays W8. W9 plays L10. L11 plays L12. W10 receives the bye. W11 plays W12.

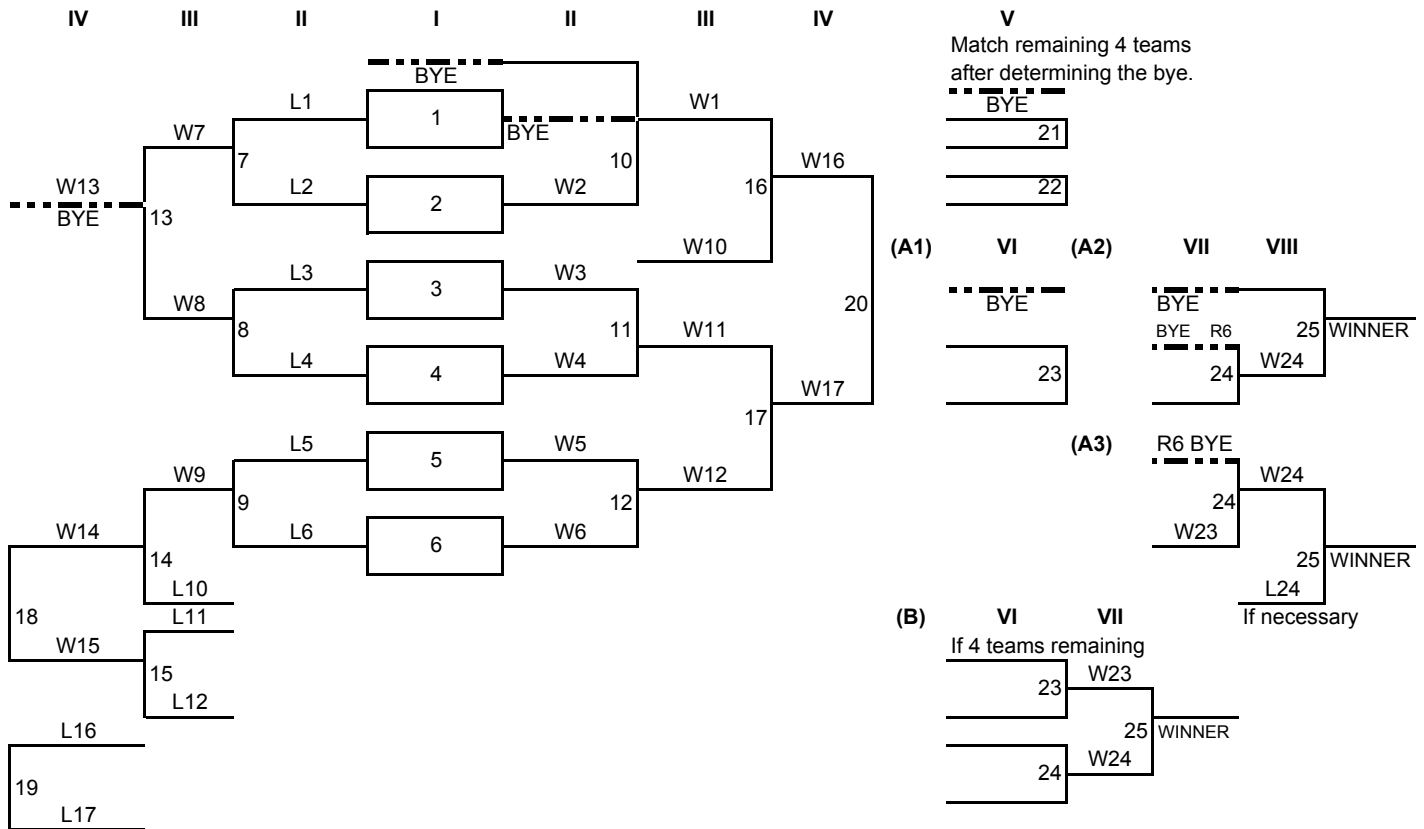
Round IV: L13, L14 and L15 have been eliminated. W13 plays W14. W15 plays L16. W16 plays W10.

Round V: L17 and L18 have been eliminated. 4 teams remain, 1 undefeated. Match teams, avoiding previous match-ups where possible. Where avoiding previous match-ups is not possible, a draw shall be held to determine pairings.

Round VI: 2 or 3 teams remain. If 2 teams remain, use Bracket A. If 3 teams remain, draw for the bye if necessary. Use Bracket B.

Round VII: If necessary, there will be a sudden death championship game.

SCHEDULE TO BE FOLLOWED FOR A 13 TEAM TOURNAMENT



- Round I: Draw for pairings. First team drawn receives the bye.
- Round II: L1 plays L2. L3 plays L4. L5 plays L6. W1 receives the bye. Round I bye team plays W2. W3 plays W4. W5 plays W6.
- Round III: L7, L8 and L9 have been eliminated. W7 plays W8. W9 plays L10. L11 plays L12. W1 plays W10. W11 plays W12.
- Round IV: L13, L14 and L15 have been eliminated. W13 receives the bye. W14 plays W15. L16 plays L17. W16 plays W17.
- Round V: L18 and L19 have been eliminated. At this point, 5 teams remain, 1 is undefeated. If the undefeated team is (4-0), they receive the bye. However, if the undefeated team is (3-0), draw for the bye from the teams that have not already had one. In either case, match the 4 remaining teams, avoiding previous match-ups where possible. Where avoiding previous match-ups is not possible, a draw shall be held to determine pairings.
- Round VI: Note: 3 or 4 teams remain. If 3 teams remain, use Bracket A1. If 4 teams remain, use Bracket B.

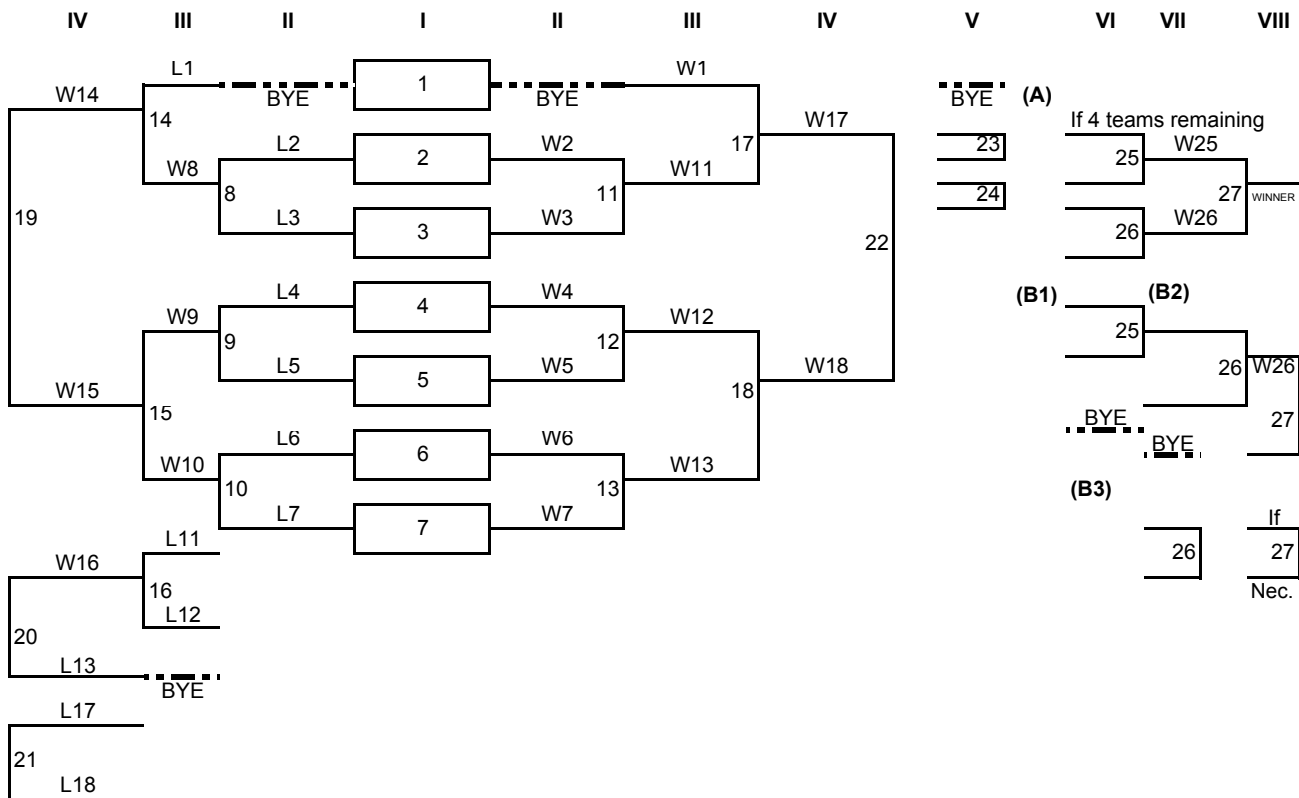
Bracket A1 Schedule:

- Round VI: Draw for the bye if necessary. Remaining team plays RV bye in game 23.
- Round VII: If 3 teams remain use A2. Draw for bye. Remaining team plays bye RV1. If 2 teams remain use A3. W23 plays RVI bye.
- Round VIII: A2. W24 plays RVII bye
A3. W24 plays L24. If necessary.

Bracket B Schedule:

- Round VI: Match remaining 4 teams, avoiding previous match-ups where possible. Where avoiding previous match-ups is not possible, a draw shall be held to determine pairings.
- Round VII: W23 plays W24.

SCHEDULE TO BE FOLLOWED FOR A 14 TEAM TOURNAMENT



- ROUND I: Draw for pairings.
 ROUND II: Loser 2 vs. loser 3, loser 4 vs. loser 5, loser 6 vs. loser 7, winner 2 vs. winner 3, winner 4 vs. winner 5, winner 6 vs. winner 7. Loser of 1 and winner of 1 receive round 2 byes.
 ROUND III: Losers of games 8, 9 & 10 have been eliminated. Loser 1 vs. winner 8, winner 9 vs. winner 10, loser of 11 vs. loser 12, winner 1 vs. winner 11, winner 12 vs. winner 13. Loser of game 13 receives a bye.
 ROUND IV: Losers of games 14, 15 & 16 have been eliminated. Winner 14 vs. winner 15, winner 16 vs. loser 13, loser 17 vs. loser 18, winner 17 vs. winner 18.
 ROUND V: Losers of games 19, 20, & 21 have been eliminated. Five teams remain, one undefeated. If the undefeated team is (4-0), they receive the bye. Otherwise, draw for the bye from amongst the teams that have not had one. Match the four remaining teams, avoiding previous match-ups if possible. Where avoiding previous match-ups is not possible, a draw shall be held to determine pairings.
 ROUND VI: Three or 4 teams remain. If 3 use bracket B1. If four use Bracket A.

Bracket A Schedule

(ROUND VI): Four teams remain, all will have a loss. Match teams, avoiding previous match-ups if possible. Where avoiding previous match-ups is not possible, a draw shall be held to determine pairings.

(ROUND VII:) W25 Plays W26.

Bracket B1 Schedule: 3 Teams remain 1 undefeated.

(ROUND VI): Draw for the bye if necessary. Remaining team play RV bye team in game 25.

(ROUND VII:) 2 or 3 Teams remain. If 3 use B2. If 2 use B3.

Bracket B2 Schedule: 3 Teams remain.

(ROUND VII:) Draw for bye if necessary. Remaining team play R6 bye team in game 26.

(ROUND VIII:) W26 plays R VII bye team.

Bracket B3 Schedule: 2 Teams remain.

(ROUND VII:) W25 plays RVI bye team.

(ROUND VIII:) W26 plays L26. If necessary.

P6 OBA ELIMINATION TOURNAMENTS

P6-1 PROCEDURES AND RULES

- a) The OBA Elimination Tournament is sanctioned by the OBA in order to produce an Ontario representative to the National Championship Tournament sponsored by the Canadian Federation of Amateur Baseball.
- b) All OBA Elimination Tournaments and OBA Elimination Tournament games shall be governed by the Constitution of the OBA, the Official Rules of Baseball, the OBA Tournament Rules and these OBA Elimination Tournament Rules.
- c) Only OBA registered teams and players may participate in an OBA Elimination Tournament.
- d) Teams participating in an OBA Elimination Tournament shall automatically be classified by the OBA as follows:

PeeWee	AAA
Bantam	AAA
Midget	AAA
Junior	A
Senior	A

- e) Teams must be given a minimum of 30 minutes from the time of completion of the last game that they played, until the start of their next game. If a team must travel from another location, appropriate travel time shall be added to the 30 minute period.
- f) Barring extenuating circumstances, if 1 team is not able to start a game, within 30 minutes of the scheduled starting time for such game, the game will be forfeited to the other team and the offending team will not be allowed to continue in the tournament. The game will count as a game played and not count as a bye in the tournament and the published chart shall not be changed.
- g) Where a team drops out of an OBA Elimination Tournament 7 or more days prior to the start of the tournament, the schedule for the tournament, if published, will be redone. If a team drops out of an OBA Elimination Tournament less than 7 days prior to the tournament and the schedule for the tournament has been published, any scheduled games not played due to teams having dropped out of the tournament shall be considered defaults and shall count as a game played and not as a bye in the tournament and the published chart shall not be changed. A team which drops out of an OBA Elimination Tournament after the draw shall forfeit its entry fee and shall not be classified for the OBA Play-offs.

Note: If possible a late entry team may be used as a substitute where applicable.

- h) The published chart for OBA Elimination Tournaments may provide for predetermined byes in early rounds (not exceeding the fourth round) of the OBA Elimination Tournament. Thereafter, byes are to be awarded as follows:
 - i) No team shall receive a back-to-back bye in successive rounds.
 - ii) No team shall receive a second bye until all remaining teams have received their first bye.
 - iii) If more than 1 team is eligible for a bye the undefeated team shall automatically receive the bye.
 - iv) If more than 1 team is eligible for a bye, the bye team will be determined by means of a draw with the first team drawn receiving the bye, and the remaining teams drawn to fill each game slot from top to bottom as drawn.
- i) Teams must be prepared to play on the Friday, if necessary.
- j) All coaches and/or managers must be certified NCCP Level II in technical and at least Level I in theory and practical and be able to produce their NCCP passport number in order to participate in an OBA Elimination Tournament or game(s).
- k) Applications to enter an OBA Elimination Tournament must be at the OBA Office by June first. The entry fee (payable to OBA), written permission from the team's Affiliated Association and a photocopy of each coach's and/or manager's NCCP Level I certification plus Level II technical accreditation and NCCP passport number must accompany the application. Applications to enter an OBA Elimination Tournament received after June first, and prior to the draw being held for such tournament, shall be accepted if accompanied by a late fee of \$100.00 for each day after June first that the application is late.
- l) An information package, including a complete schedule of OBA Elimination Tournament games, rules and an OBA approved tournament chart, will be forwarded to each local host by the OBA Series Chair by June 15th.
- m) A local host shall not use any special or local rules in any OBA Elimination Tournament or game(s).

- n) The OBA Elimination Tournament shall be a double loss knock-out tournament and may require play-downs to be played from July 16-18, 2004, with the championship tournament being played from July 30 to August 2, 2004.
- o) The home team will be decided by a coin toss prior to each OBA Elimination Tournament game with the team from the municipality furthest away from the tournament site calling the toss.
- p) All games in an OBA Elimination Tournament shall be 7 complete innings (6 1/2 complete innings if the home team is ahead), or until a winner is declared. If a game is delayed due to curfew, darkness, light failure or weather related conditions at any point prior to completion, the game shall be resumed from the point of delay.
- q) A 10 run mercy rule will apply after the completion of 5 or 6 innings of play.
- r) A designated hitter may be used in any OBA Elimination Tournament only if it is permissible at national level.
- s) In the case of bad weather or other emergency situations, the schedule may be revised at the discretion of the Tournament Committee.
- t) Awards shall be presented to the champions and finalists.
- u) Managers and coaches will be responsible for the conduct of their players both on and off the field until departure from the park. An infraction may result in a suspension for the next scheduled game in that OBA Play-off or to further suspension depending on the severity of the circumstances of the incident at the discretion of the tournament host's protest and discipline committee. Nothing in this paragraph u) limits the application of P2-5.
- v) Team limits of 25 players will apply for the OBA Junior and Senior Elimination Tournaments. Team limits of 18 players will apply for the OBA PeeWee, Bantam and Midget Elimination Tournaments. (For the Baseball Canada National Championship tournaments only 18 players are eligible, with the exception of Senior where 21 players are eligible.)
- w) The OBA, the local Host Association and their respective officials accept no responsibility for any injuries to any player, team official, or any other person, either on or off the field during an OBA Elimination Tournament.
- x) A team roster, approved by the OBA Registrar, must be presented, before any player on an approved roster, is eligible to play in any OBA Elimination Tournament. The OBA Elimination Tournament host convenor shall be responsible for obtaining a copy of all applicable team rosters and submitting the copies to the OBA Tournament Chair. Failure to comply with such provisions will lead to the OBA Elimination Tournament host being fined \$200. A team, not submitting to the OBA Elimination Tournament host convenor an approved roster, will be suspended immediately and a \$200 fine will be assessed.
- y) Rosters approved by the OBA Registrar must be presented for each participant.
- z) The Tournament Convenor shall appoint an official scorer for each game (who may be the scorer of 1 of the teams playing). It is the responsibility of the manager or coach of each team to check the pitching outs with the official scorer at the end of each game.

P7 EXHIBITION GAMES AND TOURNAMENTS

P7-1 PLAYING NON-REGISTERED TEAMS AND PLAYERS

Any registered team or player shall automatically suspend themselves upon playing with or against any team or players which are not registered with the OBA without first securing a permit from the OBA Board of Directors or the OBA Office; except where an entire team is playing an exhibition game(s) with teams up to and including Midget age, permission may be granted by the secretary of the Affiliated Association to which the team belongs.

P7-2 EXHIBITION GAMES

- a) All teams registered with the OBA, which desire to participate in exhibition games, must first secure the permission of their Local Association and Affiliated Association. (Any game or tournament that has not has been sanctioned by the OBA is defined as an exhibition game. Local Associations and Affiliated Associations may approve exhibition games where their own member teams are playing against each other within their own boundaries.)
- b) Teams wishing to play an exhibition game(s) outside the Province of Ontario must first secure the permission of their Local Association and Affiliated Association and submit same to the OBA Office for approval.

- c) Teams wishing to play an exhibition game(s) involving a team(s) from outside the Province of Ontario must first secure the permission of their Local Association and Affiliated Association and submit same to the OBA Office for approval.
- d) In an exhibition game(s) teams may only use players who have signed OBA approved rosters. Except with the permission of the management of the team with which the player is rostered, a team may not use pick-ups in an exhibition game.
- e) Applications can be made to the OBA Board of Directors to make exceptions to the rule.

P7-3 TOURNAMENTS

- a) Any team, Direct Entry, Local Association or Affiliated Association, wishing to hold a tournament where 3 or more teams are competing, must first apply for permission to hold same from the OBA Board of Directors. A fee of \$50.00 must accompany each application only if teams are from outside the area Affiliated Association. This application must have been approved by the Affiliated Association secretary in the area from which it came. A declared representative from an Affiliated Association must first honour its OBA Play-off and Affiliated Association obligations before participating in a tournament.
- b) Any team competing in a tournament not authorized by the OBA shall be liable for suspension and/or fine of up to \$25.00.

Q1 OPEN, INVITATIONAL AND INTERNATIONAL TOURNAMENTS

Q1-1 RULES

- a) In order to receive the sanction of the OBA for any tournament held within the boundaries of the Province of Ontario, application must be made through the Affiliated Association (i.e. COBA, EOBA, etc.) on the Official Approved Tournament Application Form.
- b) The tournament request approved by the Affiliated Association must be sent to the OBA, accompanied by the \$50.00 sanction fee and a copy of the proposed Local Tournament Rules and Regulations. If more than 1 series (e.g. Minor and Major) is held, a \$50.00 fee must be paid for each series.
- c) Upon receipt of each of the items in c) above, the OBA Tournament Chair will consider the tournament request and, if approved, the OBA office will forward a tournament package to the tournament host.
- d) A list of all OBA sanctioned tournaments will appear on our website, www.baseballontario.com.
- e) Non-OBA teams registered in Ontario may compete in open, invitational or international tournaments, only if permission of the OBA Tournament Chair is requested. Such non-OBA teams must provide proof of accident and liability insurance to the tournament host prior to being permitted to play in the tournament.
- f) Before distribution to the teams by the Tournament Host Association the complete schedule must be forwarded to the OBA Tournament Chair at least 3 weeks prior to the tournament for approval. Failure to comply with such provisions will lead to the tournament not being approved the following year.
- g) Any OBA team participating in a non-OBA sanctioned tournament without permission of the OBA may be suspended from further participation in any OBA sanctioned tournament and the OBA play-offs.
- h) To be accepted in any tournament, written permission from the OBA Affiliated Association in which the team plays must accompany the application.
- i) A team roster, approved by the OBA Registrar or the applicable Affiliate Association Registrar, must be presented (and a copy given) to the Tournament Convenor, before any player on an approved roster, is eligible to play in any OBA sanctioned tournament. The tournament host shall be responsible for obtaining a copy of all approved team rosters and submitting the copies to the OBA tournament chair. It is the responsibility of the team, and the Tournament Convenor, to initial the appropriate location on the Player Sign-In Sheet proving transfer of the roster between parties. Teams entering tournaments without a roster approved by their affiliate association registrar may be permitted to play at the discretion of the tournament host so as not to disrupt the tournament. The host must advise the OBA Tournament Chair immediately following the tournament of any non-approved rosters. Failure to comply with such provisions will lead to the tournament being fined \$200 and may not be approved the following year. The team entering without an approved roster will be

suspended immediately from other tournament play until the roster sheet is approved by the Affiliate Association. A fine of \$200 will be assessed. A second violation by the same team will leave it suspended from further OBA play for the year.

- j) No special concessions will be granted to any team(s) participating in any of these tournaments.
- k) Any team not fulfilling its commitment to any OBA sanctioned tournament may be fined and/or suspended from further participation in any OBA sanctioned tournament and the OBA Play-offs provided that this information is provided to the OBA Tournament Chair in writing.
- l) A final date for applications for acceptance to the OBA sanctioned tournament must be in the hands of the Host Association at least 45 days in advance of the first date of the tournament.
- m) The Host Committee must notify each application of acceptance or rejection into the tournament within 10 days following the final deadline date. Failure to comply with such provisions may lead to the tournament not being approved the following year.
- n) The tournament host is responsible for ensuring that each umpire is properly carded.
- o) Games:
 - i) These approved Tournament Rules and Regulations, the Constitution of the OBA and the Official Rules of Baseball shall govern all tournaments and tournament games.
 - ii) All protests must be ruled on at the time of their occurrence by a committee set up by the Local Host Association.
 - iii) No team may play more than 3 games in a calendar day without its written consent.
 - iv) In Minor Mosquito, Mosquito, Mosquito Girls, Minor PeeWee and PeeWee no player shall pitch more than 7 innings on any calendar day and no more than 14 innings in any tournament or series of 4 days or less duration. In Minor Bantam, Bantam Girls and Bantam no player shall pitch more than 9 innings on any calendar day and no more than 14 innings in any tournament or series of 4 days or less duration. If a player pitches 5 or more innings in any day he/she cannot pitch the next day. The player must have 2 nights rest. Any player who assumes the pitching position in an inning will be charged with an inning pitched. Minor Midget, Midget and Women's pitchers shall not pitch more than 27 outs on a calendar day. If the 27th out occurs during the course of an inning the pitcher may complete the inning. Junior pitchers shall not pitch more than 36 outs on a calendar day. If the 36th out occurs during the course of an inning the pitcher may complete the inning.

Note: (iii and iv)

Innings/outs pitched will apply to the calendar day in which they were pitched. The calendar day applies regardless of the tournament schedule, day on which the first round completes, or delays caused by darkness or weather.

- v) Illegal pitching penalty: Where a player pitches more innings or outs than is permitted, the player's team shall forfeit the game. A second violation by a manager's/head coach's team will result in his/her indefinite suspension.
- vi) The Tournament Convenor shall appoint an official scorer for each game (who may be the scorer of 1 of the teams playing). It is the responsibility of the manager or coach of each team to check the pitching outs with the official scorer at the end of each game.
- vii) A designated hitter may be used for a pitcher from Minor Midget to Senior as per the Official Rules of Baseball 6.10(b).
- viii) In Senior ball only, with 2 outs in any inning a designated runner may be used for the catcher and must be the second out of the same inning.
- ix) Umpires must be certified by the OBA. Teams may request that the umpires produce their umpiring card prior to the game to prove such certification. Teams may not protest a game based on the carding of the umpires during or after a game.
- x) A mercy rule shall be applied to all tournament games, including championship games (i.e. 10 runs after the fifth or sixth inning in a 7 inning game).
- xi) When a time limit or curfew is in effect in the tournament rules, it shall be interpreted as follows: No new inning may be started after the time limit or curfew.
- xii) In the event that a game is suspended due to rain or darkness prior to becoming an Official Game, the game shall be resumed from the point of suspension.

- xiii) Prior to participating in any game of a sanctioned tournament all players and coaches must sign the approved OBA tournament sign-in form. These forms, following the tournament, shall be forwarded to the OBA Tournament Chair.
- xiv) All OBA sanctioned tournament games shall be 7 innings or until a winner is declared.
- xv) No tournament game shall start before 6:00pm on a weekday and before 8:00am on a Saturday, Sunday or holiday, and no tournament game shall start later than 9:30pm on any night.
- xvi) Teams must be given a minimum of 30 minutes from the time of completion of the last game that they played, until the start of their next game, without jeopardy of forfeit. If a team must travel from another location, appropriate travel time shall be added to the 30 minute period.
- xvii) Minor Mosquito and Mosquito tournaments will use full batting order.
- p) Schedule:
 - The Complete schedule of tournament games must be sent to each participating team at least 2 weeks prior to the first game.
- q) Where a tournament is cancelled prior to any game being played the total tournament entry fee must be refunded to all teams. Where a tournament is cancelled after games have been played the teams will be refunded on a pro rata basis for the games not played.
- r) Special Or Local Rules:
 - Any special or local rules must be sent to the OBA Office and approved by the OBA Tournament Chair prior to distributing same. A copy of these rules must be sent to each team along with the tournament schedule. No local rules shall contravene any OBA playing rule or tournament rule.
- s) In tournaments where tie breaking rules are required, the following tie breaking rules will be used:
 - (i) Winner of the head to head game will advance
 - (ii) Team with smallest runs against ration (runs allowed / number of defensive innings played)
 - (iii) Team with the highest runs for ration (runs scored / number of offensive innings played)
 - (iv) Coin toss.
- t) The OBA Tournament Chair shall have the power to appoint an OBA Representative to any OBA sanctioned tournament.
- u) The OBA Convenors Report and specified attachments must be mailed (postmarked) to the OBA Tournament Chair within 10 days following the tournament.
- v) The OBA Tournament Chair shall provide, immediately, to the Affiliated Associations a listing of any and all disciplinary problems with managers, coaches, players or other team personnel, as reported by the tournament convenors.
- w) If these rules are not adhered to, the tournament shall not be approved or, if already approved, the host association may be fined \$200.00 and the tournament may not be approved the following year.

Q2 THE APPROVED PLAYING RULES OF T-BALL

Q2-1 GENERAL

a) The Game:

T-Ball is a game of baseball between 2 teams of 11 players, under the direction of a manager and coaches played in agreement with the Official Playing Rules (Q2-1 d) under the authority of an umpire or umpires on a recommended T-Ball field.

It is designed to get young people interested in the game of baseball by stressing and maintaining active participation of all the players; with mandatory alternation of players at a game (Q2-4 c), with the offensive team utilizing the 11 players as batters to score as many runs as possible and the defensive team using 2 extra outfielders to make as many outs as possible in accordance with the rules.

b) Insurance:

Liability insurance must be carried by all T-Ball leagues. Proof of Liability insurance must be sent to the OBA Office.

c) Official Playing Rules:

T-Ball is a game of baseball played in accordance with regular baseball rules with the incorporation of the rules contained in this booklet and OBA Playing Rules and Regulations.

d) Rosters:

See OBA Rules. Min. - 11. Max. - 25.

e) Field Decorum:

- i) The actions of players, managers, coaches, umpires and league officials must be above reproach.
- ii) The use of tobacco, alcohol or illicit drugs in any form is prohibited on the playing field, benches or in dugouts.
- iii) Players or coaches while participating in a scheduled game are not permitted to deliberately harass or direct discourteous remarks at the officials or any member of the opposing team.
- iv) Managers, coaches or players engaged or persisting in conduct contrary to the spirit, principles and objectives of good sportsmanship in T-Ball, shall receive a single warning from the umpire. If the offences continue, offender or offenders will be removed from the game.
- v) Anyone removed from the game must leave the playing field and the spectator area. Failure to do so could result in a forfeiture of the game (Q2-4 b).

Q2-2 EQUIPMENT

a) Uniforms:

Uniforms shall consist of a sweater, cap, pants and socks and must be worn by all players and coaches while participating in a game. Sweaters shall be individually numbered.

b) Gloves:

- i) The catcher may wear any type of baseball glove.
- ii) The first baseman shall be permitted to wear a trapper or fielder's glove.
- iii) All other members of the fielding team must wear fielder's gloves.

c) Helmets:

Each team must supply at least 6 double ear-flapped protective helmets with chinstraps. They must be worn when the players are at bat, while running the bases, while acting as batboy and while in the next batter's circle. Chinstraps must be worn as designed by the manufacturer.

d) Footwear:

Shoes with metal cleats are prohibited. Shoes with moulded rubber cleats may be used.

e) Catcher's Equipment:

The catcher's equipment shall consist of a chest protector, shin guards, facemask and helmet, which must be worn during practices, game warm-ups and regular games. A metal, fibre or plastic cup-type athletic support must also be worn.

f) It is recommended that all players wear athletic supports of the plastic cup-type.

g) The Ball:

The ball shall weigh not less than 5 oz. or more than 5.25 oz. It shall measure not less than 9 in. or more than 9.25 in. in circumference. OBA Approved Balls.

h) The Bat:

The bat shall be round and made of wood or aluminium. It shall not be more than 33 in. in length. It shall not be more than 2 1/4 in. in diameter at its largest part and not less than 1 1/16 in. in diameter at its smallest.

i) The Batting Tee:

The batting tee shall be a stand that will be placed on home plate for the purpose of holding the ball for the players to swing at. It should be portable and adjustable to the height of the player's choice. Each team may use its own tee when at bat. Safety must be a key element when selecting a batting tee.

j) The Playing Field:

- i) The distance between all bases shall be 60 ft.
 - ii) The distance between the point of home plate and the pitcher's rubber shall be 50 feet.
 - iii) Batter's boxes shall be 3 ft. wide and 6 ft. long. The inside line shall be parallel to and 4 in. away from the side of home plate. It shall extend 3 ft. in front of and 3 ft. behind the centre of home plate.
 - iv) The coach's box shall be 4 ft. wide and 8 ft. long, and shall not be closer than 6 ft. to the base lines.
- k) The infield arc is a line dividing the infield playing area from the outfield. It has a 50 ft. radius from the centre of the playing line (Q2-3 a) extending from foul line to foul line.

Q2-3 DEFINITIONS

- a) A "playing line" is an imaginary line running directly from first base to third base, which is a guide for the plate umpire to determine a fair hit ball.
- b) A "forfeited game" is a game declared ended by the umpire for violation of the rules. The score will be recorded 5-0 for the offended team.
- c) A "fair hit ball" is a legally batted ball that in the plate umpire's opinion will or could have firmly crossed the playing line (Q2-3 a) in fair territory, even if it is fielded before crossing the line.
- d) A "dead hit ball" is a legally batted ball that, in the umpire's opinion will not or could not have firmly crossed the playing line, even if fielded in front of the playing line. This excluded a ball put into play by an illegal swing (Q2-3 l). If the ball is caught in flight by the defensive team, the batter is out and the ball is in play until time is called.
- e) A "strike" is when:
 - i) the ball is swung at by the batter and is completely missed.
 - ii) the ball is a dead hit, fouled or put into play by an illegal swing (Q2-3 l) by the batter when he/she has less than 2 strikes.
- f) An "illegally batted ball" is when the batter hits the ball, either dead, fair or foul with one or both feet on the ground entirely outside the lines of the batter's box (Q2-3 k).
- g) A "fielder's choice" is when any defensive player has control of the ball in the infield area (Q2-3 h) and in the judgment of the plate umpire there is no attempt to make a play on any of the base runners, time will be called, and the base runners, in the judgement of the umpires, will be held on the base they last occupied or the unoccupied base they were approaching when time was called. A player raising his/her hand with the ball therein above his/her head will not automatically attain a call of time by the umpire.
- h) The "infield area" is the area, in the judgement of the plate umpire, in which the defensive infielders would normally play in performance of their duties. It also includes the adjacent foul territories which are encompassed by the playing line being extended to the playing field boundaries.
- i) An "appeal" must be made before "play" is called for the next batter; in the case of the last batter, it must be made before the last defensive player is off the field.
- j) A "lead-off" is when a runner is off his/her base when the batter hits the ball off the tee.
- k) The "batter's box" is an area on each side of home plate, within which the batter shall have both his/her feet during his/her time at bat.
- l) An "illegal swing" is when the batter does not take a full swing or chop swings downward at the ball. This is considered bunting and is contrary to Q2-4 a). (Penalty see Q2-5 n).

Q2-4 GENERAL RULES

- a) In T-Ball there shall be no pitching to the batter, therefore there will be no base-on-balls awarded; there is no bunting and the infield fly rule does not apply.
- b) Each team shall have a starting line-up of 11 players. If at any point during the game a team cannot field the 11 players, the game will be forfeited to the opposing team.

- c) All players listed in the game line-up in which their team is participating must be scheduled to play at least 2 innings of a 5 inning game. It is compulsory that players play a complete inning when alternated and must be put in at the beginning of an inning.
- d) 10 minutes before the scheduled starting time, the manager must give a copy of his/her batting line-up for each of the 5 innings to be played to the opposing manager and the official scorekeeper. A player must be listed to bat in the same batting position for each inning until substituted. He/she may return to the same or any other batting position in the line-up following the inning in which he/she was substituted. No changes to the line-up will be permitted in the first 3 innings of the game, except in the case of injury or sickness. (A player substituted for because of injury or sickness may not re-enter the game until the following inning.) Prior to the start of the fourth and/or subsequent innings, valid additions or changes to the line-up must be made before the plate umpire calls play for the first batter at the beginning of that inning. All line-up changes must be reported to the plate umpire, official scorekeeper and the opposing manager. If a player is listed on the game score sheet but is not in attendance at the game when his/her scheduled time at bat or his/her turn to take a defensive position occurs, the offending team shall forfeit the game. Late arriving team players who are not listed on the home score sheet may only be inserted into the line-up to play the fourth and fifth innings at the manager's discretion (Q2-4 c).
- e) The "batting orders" must be followed for each inning. A batter who fails to bat in his/her proper batting position shall be declared out on an appeal by the defensive team, if another player completes a time at bat in his/her place. However, the proper batter may take his/her place in the batter's box at any time before the improper batter becomes a runner or is put out and any strikes will be assumed by the proper batter. If the improper batter becomes a base runner or is put out and the proper appeal is made the plate umpire shall:
 - i) declare the proper batter out,
 - ii) nullify any advances or scores made by the base runners because of a ball batted by the improper batter, and
 - iii) the next batter will be the player in the batting position following the player who was called out because of missing his/her turn at bat.

If the appeal is made too late then the improper batter becomes legal and the player in that batting position is considered to have completed his/her turn at bat. The next batter will be the player in the next batter position in the line-up.

- f) If at the time a game is scheduled to begin, a team does not have a minimum of 11 eligible players, a maximum extension of 15 minutes will be allowed before the plate umpire declares the game forfeited to the non-offending team.
- g) If 15 minutes past the scheduled game time, neither team can field 11 eligible players the umpire shall declare a double forfeit.
- h) Each "defensive team" shall have:
 - i) a catcher who shall play a position normally taken by the catcher behind home plate, far enough back so he/she does not interfere with the batter while batting,
 - ii) a pitcher who shall play in the infield and must assume a set position with both feet on the pitcher's rubber until the ball is hit,
 - iii) a first baseman, a second baseman, a third baseman and a shortstop who shall play in positions regularly played by these infielders and they shall not cross the playing line until the ball is hit. Penalty - in the event a defensive player, in the judgement of the umpire, does cross the playing line before the ball is hit the umpires will call time immediately and the ball is dead,
 - iv) 5 outfielders who shall play in the area regularly played by outfielders, and
 - v) a maximum of 4 adults in the dugout.
- i) The "offensive team" shall have no more than 2 adults in the dugout and will be allowed only 2 coaches in the coaching boxes (1 near first base and 1 near third base) for a total of 4. Coaches and managers shall:
 - i) be adults,
 - ii) remain within the dugout or within the coaches boxes at all times,
 - iii) not physically assist any runner while he/she is in play (in the event he/she does, the base umpire will call the runner out at the time of the infraction), and

- iv) talk to members of his/her own team only.
- j) A “regulation game” will consist of 5 complete innings, provided 1 team has scored more runs than the other. If the score is tied at the end of 5 innings, play is continued until 1 team has scored more runs than the other in an equal number of innings or when the home team has scored the winning run in the last inning. In the event the umpire terminates the game before the end of the fifth inning and there has been at least 3 completed innings played, the score will revert back to the last completed inning. In the event that a league game is tied after 3 or more completed innings and halted by the umpire, it shall be scored a tie. In the event that a league game is halted before 3 complete innings, it shall not be considered a regulation game and will be replayed from the beginning at a later date. In tournament play, if a game is halted before it is a regulation game but at least 1 inning has been completed, the game will continue from the exact point play was halted.
- k) **Protesting a Game:**

The managers of the contesting teams only shall have the right to make protests. A protest will not be considered on a decision involving umpire's judgement but only when based on the violation or interpretation of a playing rule, an eligible player or if a player does not play at least 2 innings of a 5 inning game. Protests shall be made as follows:

- i) The protesting manager shall immediately and before any further play begins, notify the plate umpire that he/she is playing the game under protest.
- ii) Following such notice the umpires shall consult with each other and if they are convinced that the decision is in conflict with the rule the decision shall be reversed. If, however, after consultation they are convinced that the decision is not in conflict with the rules, the plate umpire shall announce that the game is being played under protest and play will continue.
- iii) Protests made due to the use of an ineligible player or a player not playing enough innings may be considered only if made to the plate umpire before the last batter of the final inning or half inning has completed his/her turn at bat.
- iv) Any protest for any reason whatsoever must be submitted in writing within 48 hours after completion of the game by the protesting manager and the plate umpire to the proper league officials who shall deal with it as they see fit. See OBA Rules and Regulations.

In tournament play, all protests are settled on the playing field before any further play continues. The umpires shall consult with each other and if they cannot resolve the protest between them, they shall call in the tournament umpire-in-chief or protest committee and this decision is non-appealable.

Q2-5 PLAYING RULES

- a) To begin the game, the plate umpire shall instruct the home team to take their positions in the field, place the tee of the batting team on home plate and call “play” for the first batter of the offensive team.
- b) The batter becomes a base runner when:
 - i) he/she hits the ball hard enough to cross the playing line in fair territory (Q2-3 a and c).
 - ii) the catcher interferes with him/her while he/she is attempting to hit the ball. The batter is awarded first base, the ball is dead and no runner may advance except those forced by the batter becoming a base runner. In the event that the batter, in spite of the interference, hits the ball fairly (Q2-3 c) and reaches any base safely and all runners have advanced at least 1 base safely, then the interference is disregarded. In the case of catcher interference on the last batter while he/she is attempting to hit the ball, the ball is dead, no runners may advance and the last batter is allowed to continue his/her turn at bat with the same count. In the event the last batter, in spite of the catcher interference, hits the ball fairly and reaches home plate safely, the ball is alive and the catcher interference is disregarded. However, in all cases of catcher interference, the offensive manager has the option of accepting or refusing the catcher interference.
- c) A batter is out when:
 - i) his/her fair hit, dead hit, foul fly or fly ball put into play by an illegal swing is caught by a member of the defensive team. The ball is alive and in play until time is called.
 - ii) he/she hits the ball illegally. The ball is dead and runners may not advance (Q2-3 f).
 - iii) he/she has 3 strikes called on him/her. The ball is dead and runners may not advance (Q2-3 e).

- d) A base runner is out:
 - i) on a force play.
 - ii) when he/she is tagged.
 - iii) when running off his/her baseline to avoid a tag.
 - iv) when he/she is hit by a fair batted ball, either on or off his/her base, before the ball has touched or passed an infielder trying to make a play on the ball not including the pitcher. The ball is dead and no runner may advance.

e) Lead-offs:

No player on the offensive team, while a base runner, shall take a lead-off from the base he/she is on until the batter has hit the ball from the tee. When any runner has taken a lead-off, the base umpire shall indicate same by dropping a red flag. Play is permitted to continue and all runners are in jeopardy. At the end of the play when time is called, any outs will stand and all other runners will return to their original bases and the batter, if not put out will return to bat with the same count. In the event that lead-off occurs on the last batter, play will continue and all legal runs are allowed to score except player(s) who lead-off.

- f) If a fielder intentionally drops a fly ball or line drive, when first base is occupied, the force is removed and the base runner must be tagged.

g) Overthrows:

Base runners may advance when a ball is overthrown to any base until such time a defensive player has control of the ball in the infield area and there is no attempt to make a play (Q2-3 g and h). In the event the overthrown ball leaves the playing field, the base runners shall be permitted to advance to the base they were approaching when the ball was thrown plus 1 more base. Runners with last batter status (Q2-5 i) are allowed to continue to score.

h) The offensive team's turn at bat ends when:

- i) the last batter has 3 strikes.
- ii) the last batter has hit the ball illegally (Q2-3 f).
- iii) when the catcher (only) touches home plate with the last batter's fair hit ball (Q2-3 c) in his/her possession. The ball must be thrown over the playing line (Q2-3 a) at least once on its way to the catcher unless the fair hit ball was fielded in front of the playing line. The pitcher, only, is allowed to assist the catcher in the home plate area. Penalty - In the event a defensive player other than the pitcher, in the judgement of the umpire crosses into the home plate area, the umpire will call time and allow all legal runs to score.
- iv) base runner with last batter status (Q2-5 i) is hit by a fair hit ball either on or off his/her base before the ball is touched by an infielder or has passed an infielder, excluding the pitcher, the ball is dead and no runs may score.
- v) the last batter's fly ball is legally caught and there are no runners on the bases.

i) Last Batter Status:

Any players on the offensive team who are base runners when the last batter is at bat are regarded in the same manner as the last batter and no defensive play can be made on them on the bases. They are all forced to home plate when the last batter has hit the ball fairly (Q2-3 c).

- j) In the event the last batter's fair hit ball leaves the playing field by going over the outfield fence, either in flight or bouncing over, it will be considered a home run and all runners having last batter status will be allowed to score. However, if the ball goes under or gets caught in the outfield fence and in so doing interferes with the fielder's chances to field the ball, all base runners will be allowed to score but not the batter.
- k) In the event that the last batter of the offensive team is out on a fly ball, the players who are base runners shall be permitted to score, provided they are on the base when the ball is caught or they retouch it after the ball is caught before touching the next base. These runners have to score prior to the ball being returned to home plate.
- l) In the event that the last batter of the offensive team or any base runner with last batter status is obstructed in any manner by any defensive player while running the bases, it shall be the discretion of the umpire as to how far he/she would have advanced had there been no obstruction.
- m) A run does not count when a runner with last batter status:
 - i) reaches home plate after the plate has been legally touched by the catcher.

- ii) has led-off and reaches home plate safely.
- iii) has not tagged up and reaches home plate safely.

n) **Illegal Swing:**

When a batter puts a ball into play by an illegal swing (Q2-3 l) the plate umpire shall indicate same by dropping a red flag; play is permitted to continue and all runners are in jeopardy. At the end of play, when time is called, all outs will stand and all other base runners will return to their original bases. The batter, if not put out, will resume his/her turn at bat with a strike added to his/her count (no third strike can be applied, Q2-3 e ii). In the event the last batter puts the ball in play by an illegal swing it shall be considered a dead ball unless caught in flight by a defensive player.

Q2-6 UMPIRES

- a) Once the batting line-ups have been exchanged the plate umpire takes charge of the game and takes his/her place behind home plate.
- b) The decisions of the umpire shall be final; however, the managers of each team shall be entitled to ask for permission to approach the umpires for an interpretation of the rules. No umpire shall overrule any other unless invited into consultation.
- c) The umpires are the only ones that can call “time”.
- d) To resume play after time has been called, the plate umpire will call for the next batter, and after the next batter has stepped into the batter's box, the umpire will place the ball on the tee and call “play”. The batter is then allowed to hit.
- e) In the interest of safety, the plate umpire must remove the tee from home plate to prevent any interference with a play at home plate. Failure to do so will be no cause for the umpire to change the results of the play.
- f) The plate umpire must call out all strikes, dead hits and foul balls as quickly as possible. He/she must also indicate an illegal swing by dropping a red flag.
- g) The plate umpire shall notify opposing managers of any changes or additions to the original line-up as reported to him/her (Q2-4 d).
- h) Base umpires shall:
 - i) judge the position of the runners when the ball is thrown out of the playing area (Q2-5 f),
 - ii) watch for and indicate lead-offs (Q2-5 d) and inform the plate umpire which runner(s) lead-off if they have last batter status (Q2-5 j),
 - iii) watch for and inform the plate umpire of runners that do not retouch when the last batter's fly ball is caught (Q2-5j) and
 - iv) hold up runners when time is called (Q2-3 g).
- i) All umpires must make sure the fielders are all behind the playing line and the pitcher is in his/her proper position before play is called for the next batter.
- j) It is the duty of the plate umpire, after he/she has been notified, to call out “last batter”. Failure to do so does not nullify the play.
- k) The plate umpire may terminate a game before its completion for reasons of darkness, bad weather or dangerous field conditions, etc.
- l) The umpires shall have the authority to rule on any situation not covered specifically in the Official Playing Rules.

Q3 THE APPROVED PLAYING RULES OF ROOKIE BALL

Q3-1 REGULATIONS

All OBA Rules & Regulations pertaining to membership, territorial rights, registration, players signing, fees, insurance, classification, OBA Play-offs, and tournaments shall apply as stated in the current version of the Constitution of the OBA as amended each year at its Annual Meeting.

The Approved Playing Rules of Rookie Ball apply to both Junior and Senior Rookie Ball.

Q3-2 DIAMOND LAYOUT

- a) The pitching machine is placed directly in front of home plate at a distance of 44 ft.
- b) An 8 ft. diameter safety circle shall be marked off directly in front of home plate and its centre shall be 44 ft. from home plate. No player is permitted to enter the safety circle, which is considered a dead ball area. Enter means that any part of the body enters the safety circle.
- c) Electrical cord must run along or under the ground from the pitching machine to the electrical source.

Q3-3 PLAYING RULES

- a) A team shall comprise of a minimum of 10 players and a maximum of 25 players, all signed to team rosters of the series and classification of the team entered. Each team must have at least 1 manager and/or 1 or more coaches signed to a team roster clearly marked manager or coach and who shall be responsible for that team.
- b) Each team shall have a catcher, a first baseman, a second baseman, a third baseman, a shortstop, a left fielder, a right fielder, 1 pitcher and 2 centre fielders in the line-up.
- c) The pitcher must stand beside the pitching machine outside of the safety circle and behind the release point of the pitching machine. Lines shall be drawn from the release point to 4 ft. beyond the circle. The pitcher must have both feet on the white line until the ball is released from the machine. The machine shall be 44 ft. from home plate. Only the pitcher may return a live ball to the operating coach with runners on base. The pitcher must wear a regulation batting helmet with an attached chinstrap. The pitcher must not in any way break the plane of the 8 foot diameter circle around the machine whether stepping on the circle line or reaching in. Play will be called dead and 1 base will be awarded. All other forced runners will move 1 base. This only applies if the pitcher makes contact with the ball. Infielders can ask for time in the infield area. Time will be given at the umpire's discretion.
- d) The pitching machine speeds cannot be altered except at the end of an inning. Any tampering with the machine speed by the coach feeding the machine shall result in the coach's immediate ejection. If the machine speed is erratic, it shall be corrected by the umpire. (This may be done at any time.) Machine speed is a maximum of 40 mph and a minimum of 35 mph. Height can be adjusted at any time.
- e) All Rookie Ball baseball games shall be 7 innings or until a winner is declared. 5 innings shall constitute an official game.
- f) Each batter shall receive a maximum of 5 strikes as called by the umpire. The batter shall not be called out if the 5th strike is called a foul ball. If a ball crosses the plate over the batter's head or bounces into the dirt, the umpire will not count it as a strike unless the batter swings at the pitch.
- g) Batters cannot walk or bunt. (Bunts are automatic outs.)
- h) There shall be no passed balls or wild pitches.
- i) Base Runners cannot leave the base until the batter makes contact with the ball. If an infraction occurs, one (1) warning will be issued and for any further infractions Thereafter the runner will be called out. (Each team may receive 1 warning). No stealing allowed.
- j) If a batted ball hits the pitching machine or any adult in the playing field, then the ball is declared dead and the batter is awarded first base with the corresponding move of any base runners who may be forced to move. The coach feeding the machine must not interfere with any play being made by the defensive team. Otherwise, the batter will be called out and the runners will be returned to their base of origin. In case of the third out the side is retired. If the 10th batter hits the pitching machine, then the ball will be declared dead, the batter will be awarded first base with the corresponding move of any base runners who may be forced to move, and the inning will be over.
- k) The plate umpire shall be behind the catcher. The second umpire is the traditional base umpire.
- l) The on deck batter, the batter and base runners must wear a prescribed protective helmet with flaps covering both ears. Chinstraps are mandatory and will be worn as designed by the manufacturer. Helmets may not be changed except after the inning has been completed, or the player has been retired or has crossed home plate.
- m) Shoes with metal cleats are prohibited.

- n) All catchers are required to wear a mask with throat protector, helmet, chest protector, shin guards, cup and cup type supporter during the game and during any warm-up, machine set-up, etc.
- o) In addition to wooden bats, metal bats shall be allowed in OBA play. These bats shall meet the dimensional requirements specified in Rule 1:10 of the Official Rules of Baseball. The maximum diameter of the bat barrel is 2 3/4".
- p) All players in uniform (OBA rostered) must be put in a continuous batting order, with the bat person being the exception.
- q) A coach/manager may only communicate positive instructions to his/her players on the field.
- r) Up to 3 games may be played in 1 day.
- s) An inning shall be 3 outs or the maximum of 10 batters. If there are 2 outs when the 10th batter is up, the 3rd out can be obtained by a caught fly ball, a force out (when the runner must advance a base) or a tag play. In all other instances, the ball must go to the catcher or pitcher who must touch the plate to end the inning. (Note: Only the catcher or pitcher may touch the plate to end the inning.) With less than 2 outs, if the 10th batter is put out on a caught fly ball, all base runners are permitted to score, provided they are tagging up base when the ball is caught (touched) or they retag the base after the ball has been caught. The defensive team may obtain additional outs through the appeal process. If the ball proceeds out of play, then the runners advance as prescribed by the Official Rules of Baseball and anyone forced across home plate will score.
- t) The infield fly rule does not apply.

Q3-4 APPROVED BALLS FOR ROOKIE BALL

Any baseball approved for Mosquito play.